

Fisher-Price®



WARNING

TO AVOID SERIOUS INJURY:

- Adult supervision is required.
- Never use near cars and other motor vehicles, near streets, steps, sloped driveways, hills, roadways, alleys, swimming pools or other bodies of water.
- Always wear shoes.
- Never allow more than one rider.



IMPORTANT! It is a good practice to start training children very young regarding the importance of helmet use. When children are older and riding bicycles and faster vehicles, it is important that they use a helmet each and every time they ride. For this reason, even while riding a tricycle, it is a good idea to familiarize your child with helmet use, so that it becomes a habit for life. Choose a helmet that complies with requirements of the applicable certifying agency for bicycle helmets.

Please keep this instruction sheet for future reference, as it contains important information.

Adult assembly is required. Tools required for assembly: Phillips Screwdriver, Hammer and Scrap Block of Wood (not included).

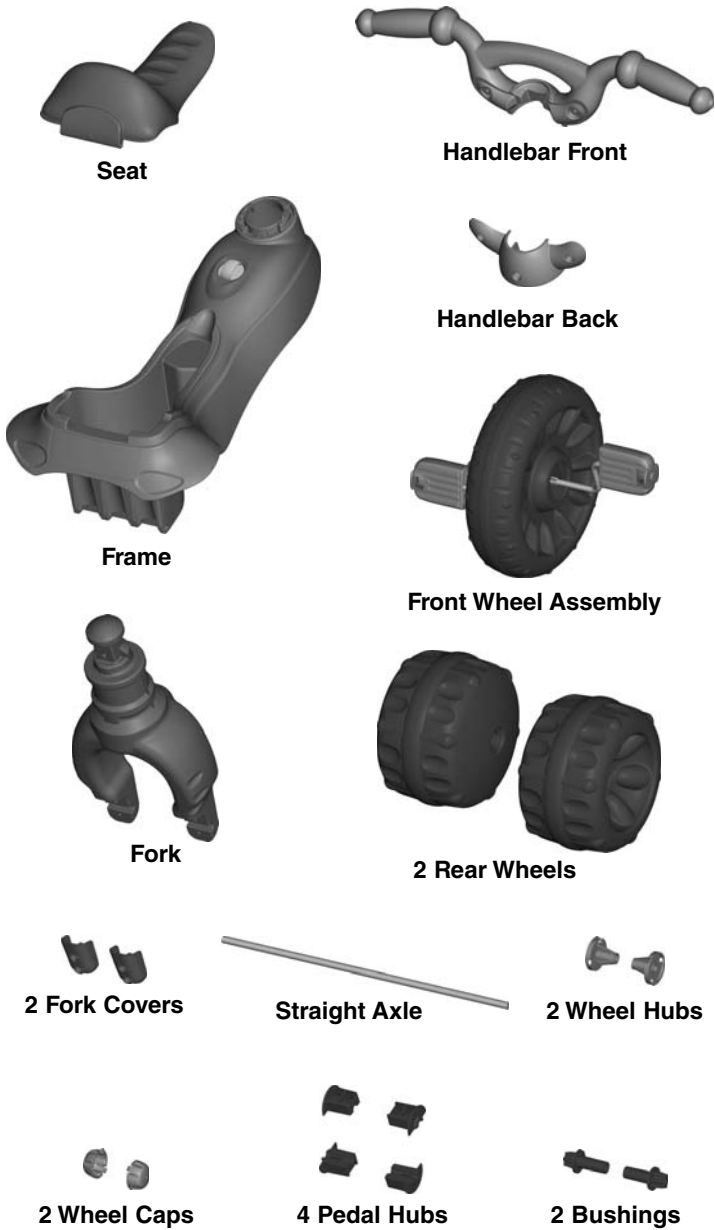
Age: 2-5 years; Weight limit: 55 lbs (25 kg).

Product features and decoration may vary from photos shown.

www.fisher-price.com

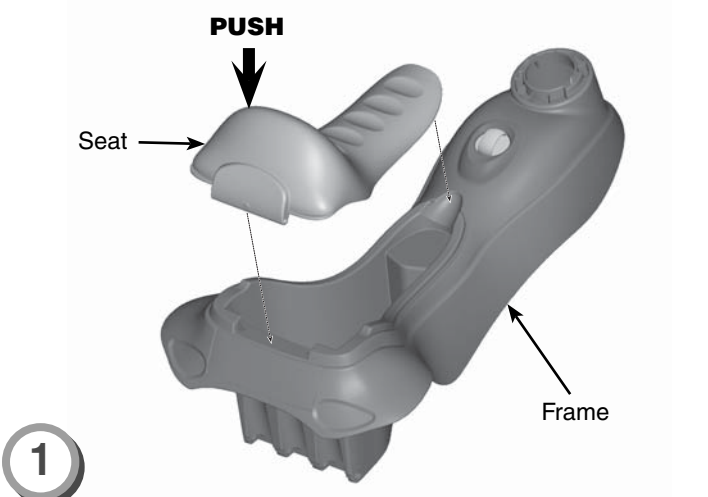
Parts

- Tighten assembled screws with a Phillips screwdriver. Do not over-tighten the screws.
- Please save all packaging material until assembly is complete to ensure that no parts are discarded. Wipe each part with a clean, dry cloth before assembly.
- Label sheet is not shown.

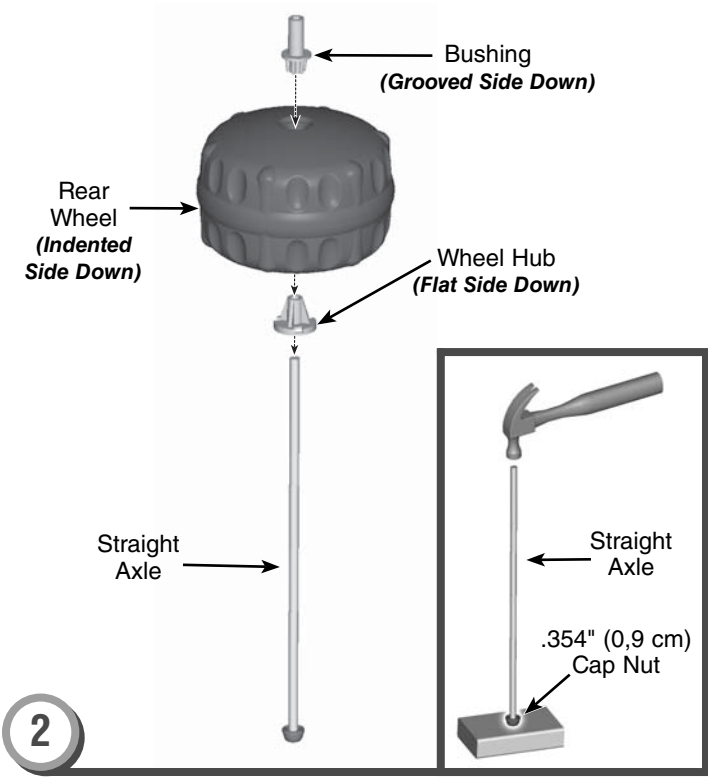


Assembly

⚠ CAUTION
 This product contains small parts in its unassembled state. Adult assembly is required.



- Fit the seat onto the frame. Push firmly near the back end of the seat to "snap" it into place.



- Place one end of the straight axle into a .354" (0,9 cm) cap nut. Tap the end of the straight axle with a hammer. **Pull on the cap nut to be sure it is securely attached to the straight axle.**
- Slide a wheel hub, *flat side down*, onto the straight axle.
- Slide a rear wheel, *indented side down*, onto the straight axle.
- Slide a bushing, *grooved side down*, onto the straight axle.

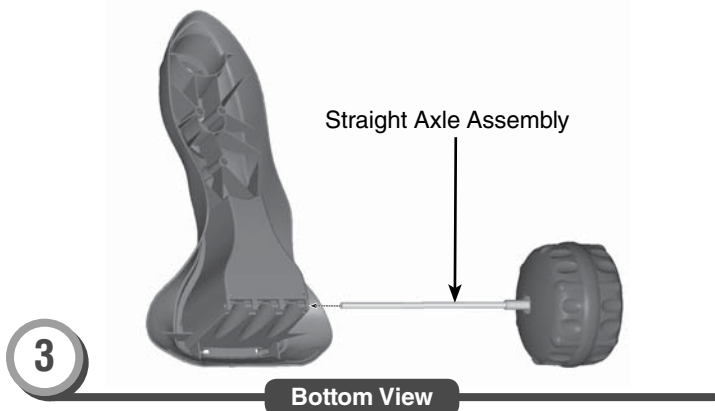
.354" (0,9 cm) Cap Nut - 2*

#8 x 3/4" (1,9 cm) Screw - 6

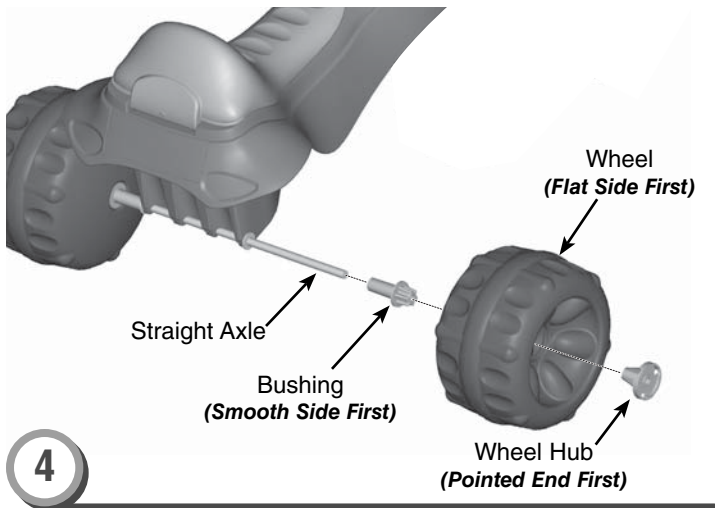
#8 x 2 1/4" (5,7 cm) Screw - 1

FASTENERS SHOWN ACTUAL SIZE

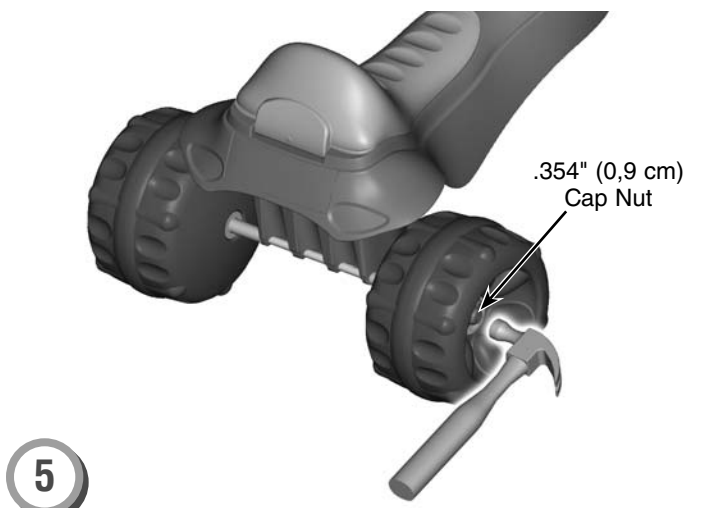
*We've included one extra .354" (0,9 cm) cap nut for your convenience.



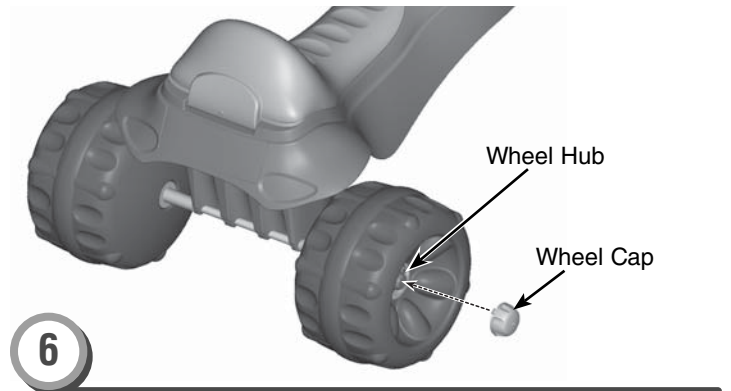
- 3**
- Turn the frame upside down.
 - Insert the straight axle assembly through the holes in the rear of the frame.



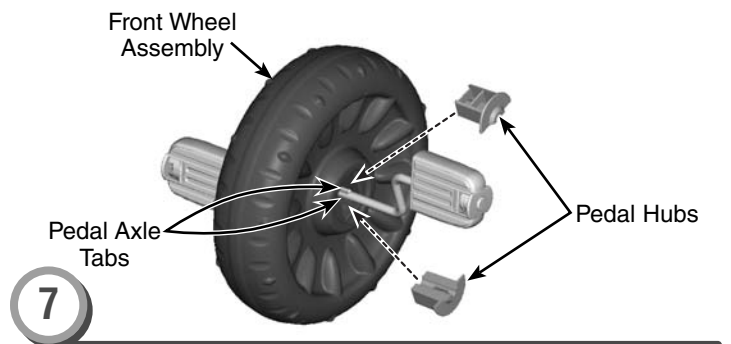
- 4**
- Turn the assembly upright.
 - Slide a bushing, *smooth side first*, onto the end of the straight axle.
 - Slide a wheel, *flat side first*, onto the end of the straight axle.
 - Slide a wheel hub, *pointed end first*, onto the end of the straight axle.



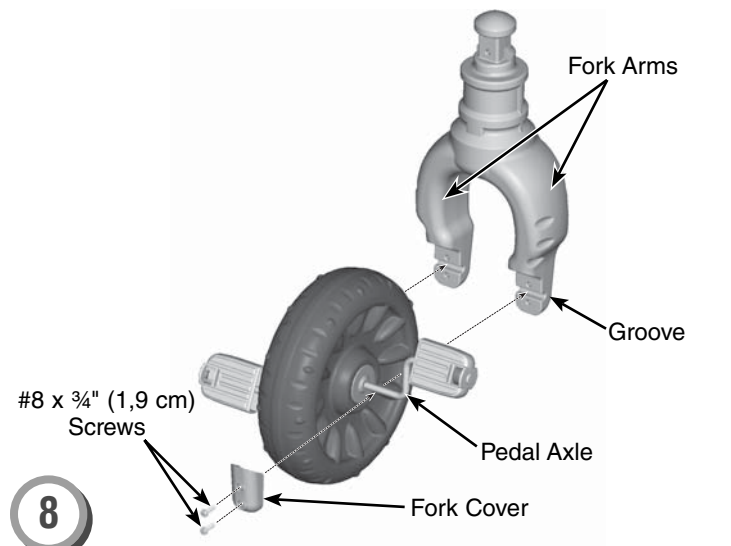
- 5**
- Fit a .354" (0,9 cm) cap nut on the end of the straight axle.
- Hint:** You may need the help of another adult to hold the other end of the straight axle in place.
- Tap the cap nut with a hammer. **Gently pull the rear wheel to be sure the cap nut is securely attached to the straight axle.**



- 6**
- Fit the tabs on the wheel cap into the slots in the wheel hub. Push to **"snap"** the wheel cap in place.
 - Repeat this procedure to attach the other wheel cap to the other wheel hub.

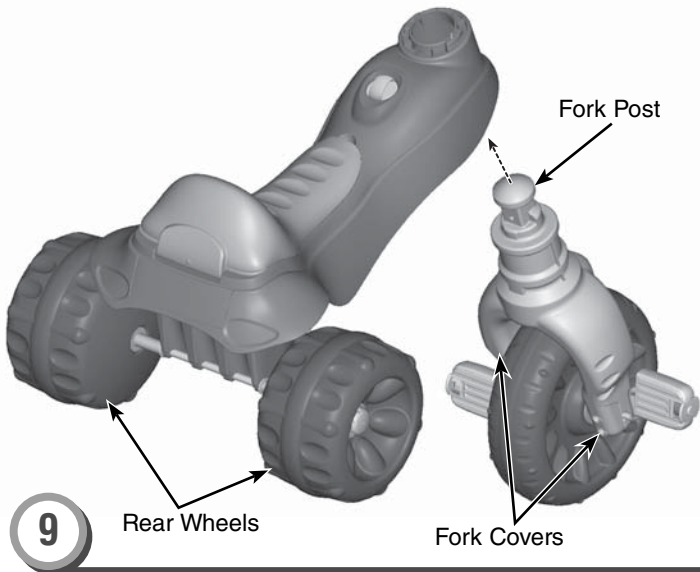


- 7**
- Fit two pedal hubs onto the pedal axle tabs. Make sure the tabs fit into the slot in each pedal hub.
 - Press the pedal hubs into the center of the front wheel until they are flush with the surface of the front wheel.
 - Repeat this procedure on the other side of the front wheel assembly to assemble the other two pedal hubs.

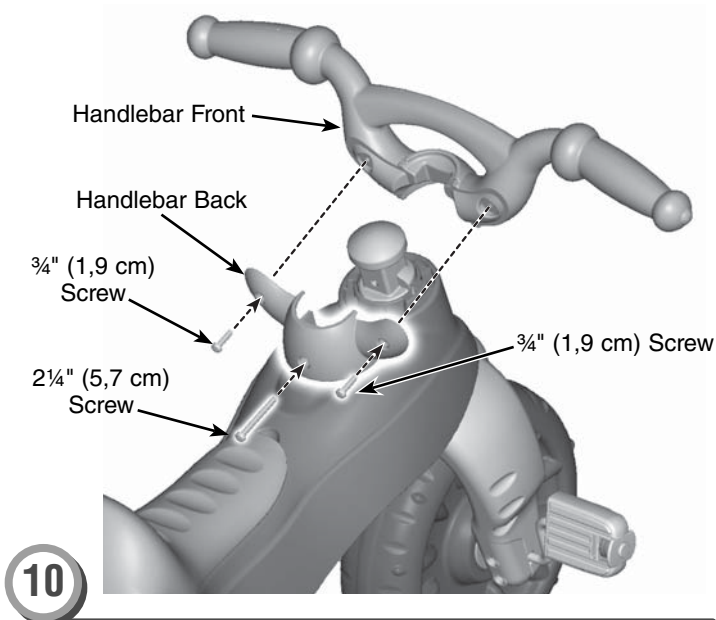


- 8**
- Place the front wheel assembly between the fork arms. Make sure the pedal axle fits into the groove at the bottom of each fork arm.
 - Place a fork cover over the pedal axle on one fork arm.
 - Insert two #8 x 3/4" (1,9 cm) screws into the fork cover and tighten.
 - Repeat this procedure to attach the other fork cover to the other fork arm.

Assembly



- With the fork covers facing the rear wheels, insert the fork post up through the hole in the neck of the frame.



- Fit the handlebar front to the fork post.
- **Hint:** The handlebar front is designed to assemble to the fork post one way.
- Fit the handlebar back to the fork post and handlebar front. Hold them together firmly.
- First, insert the remaining #8 x 3/4" (1,9 cm) screws through the outer holes in the handlebar back and tighten.
- Then, insert the #8 x 2 1/4" (5,7 cm) screw through the center hole in the handlebar back and tighten.

Decoration

- Before applying the decorative labels, wipe the surface of the trike with a clean, dry cloth to remove any dust or oils.
- Refer to the color photos located on the package flaps to apply the labels.
- For best results, avoid repositioning labels once applied.

Consumer Information

- Periodically, check the plastic parts and if broken or cracked, dispose of them properly.
- Periodically, check all fasteners regularly to be sure they are tight. If the fasteners are not tight, tighten them as necessary.
- To clean, use a mild soap and water solution and a clean cloth. Rinse clean with water to remove soap residue.

?

CONSUMER ASSISTANCE

1-800-432-5437 (US & Canada)
1300 135 312 (Australia)

service.fisher-price.com

Fisher-Price, Inc., 636 Girard Avenue, East Aurora, NY 14052.
Hearing-impaired consumers: 1-800-382-7470.

Outside the United States:

Canada: Mattel Canada Inc., 6155 Freemont Blvd., Mississauga, Ontario L5R 3W2; www.service.mattel.com.

Great Britain: Mattel UK Ltd, Vanwall Business Park, Maidenhead SL6 4UB. Helpline: 01628 500303. www.service.mattel.com/uk

Mattel Europa, B.V., Gondel 1, 1186 MJ Amstelveen, Nederland.

Australia: Mattel Australia Pty. Ltd., 658 Church Street, Locked Bag #870, Richmond, Victoria 3121 Australia.

New Zealand: 16-18 William Pickering Drive, Albany 1331, Auckland.

Fisher-Price, Inc., a subsidiary of Mattel, Inc., East Aurora, NY 14052 U.S.A.
©2010 Mattel, Inc. All Rights Reserved. © and ™ designate U.S. trademarks of Mattel, Inc.

PRINTED IN MEXICO

00989pr-1035