

Barbie®

INSTRUCTIONS

# happy family™

Neighborhood

5+



C7538-0920

ADULT ASSEMBLY REQUIRED. Requires three (3) "AA" alkaline batteries (not included).



CHIPBOARD

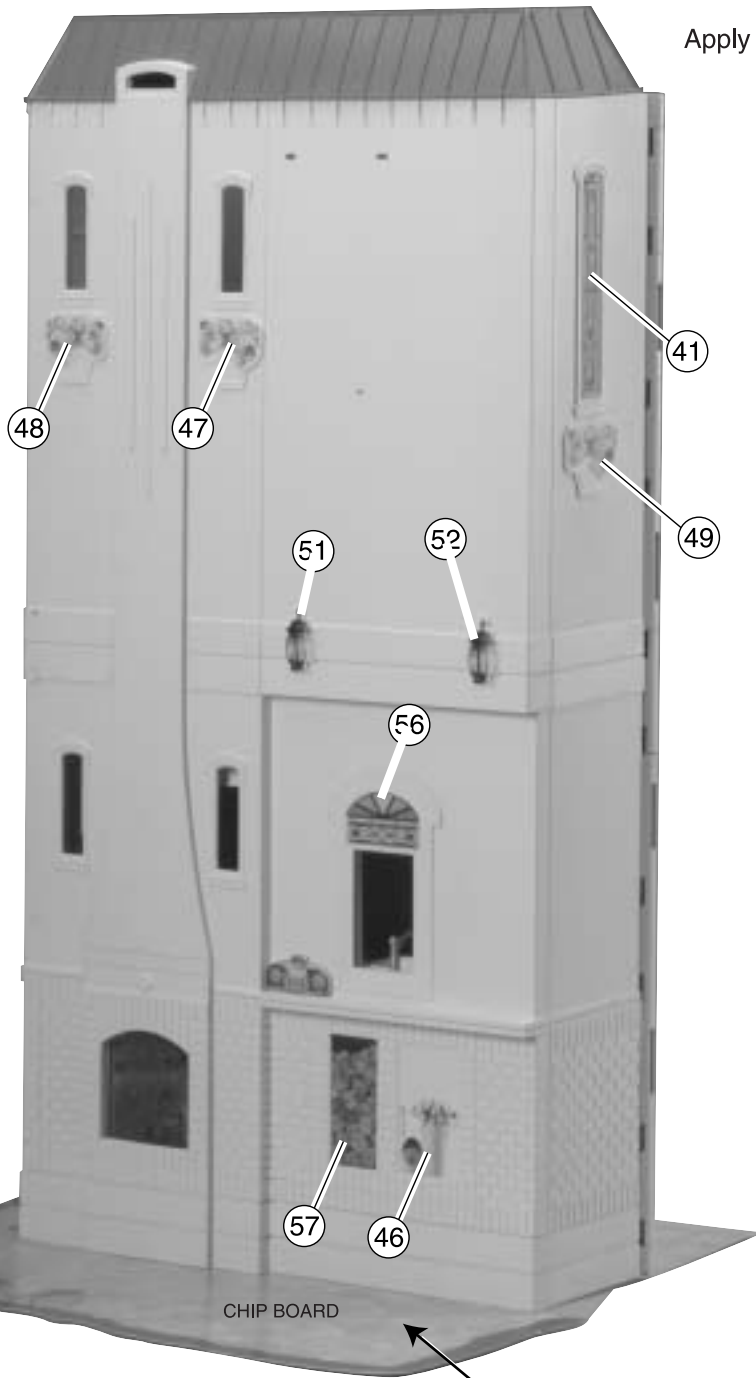
**WARNING:**  
**CHOKING HAZARD** - Toy contains small parts.  
Not for children under 3 years.

**CONTENTS:** Please remove everything from the package and compare to the contents shown here. If any items are missing, please call 1-800-524-TOYS.

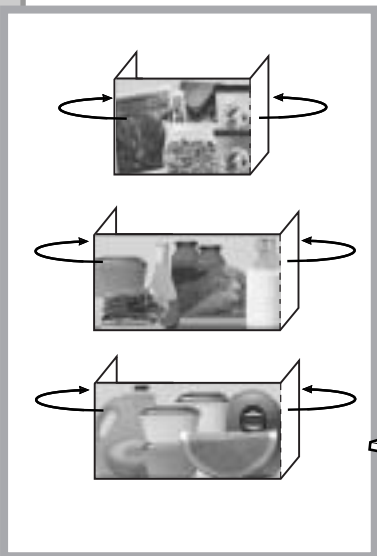
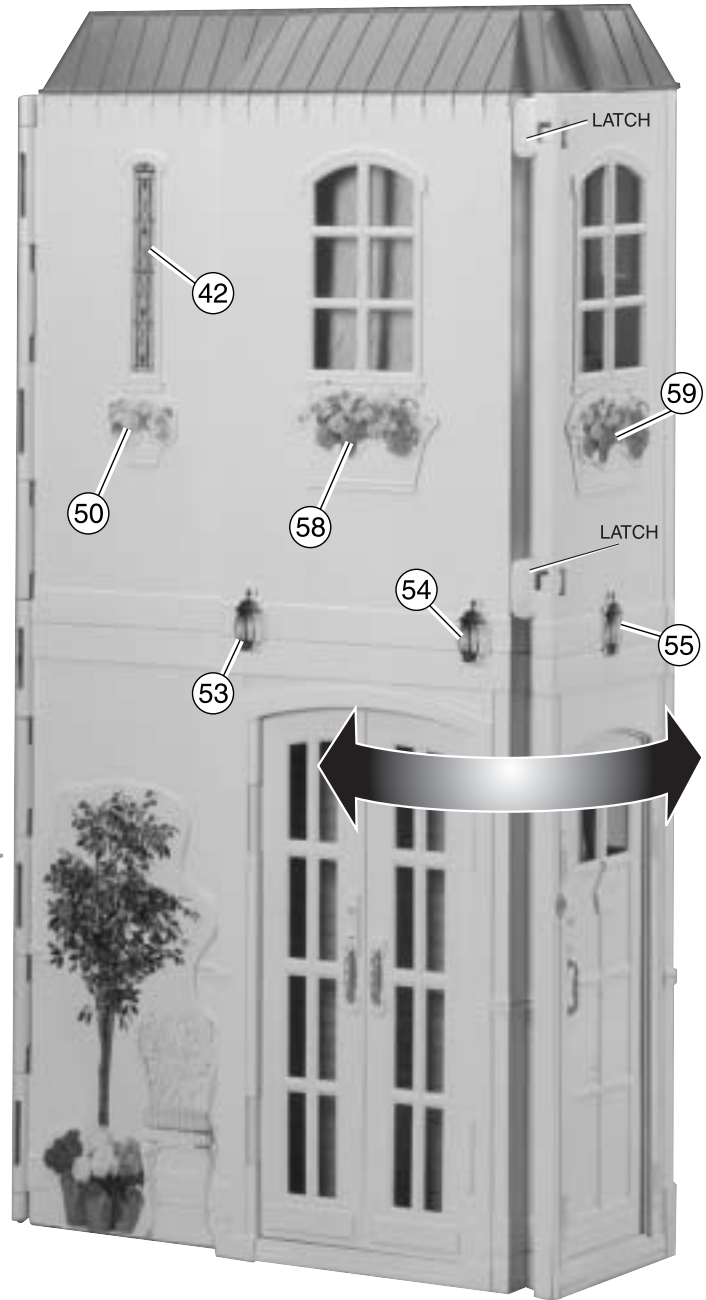
Keep these instructions for future reference as they contain important information.

Colors and decorations may vary.

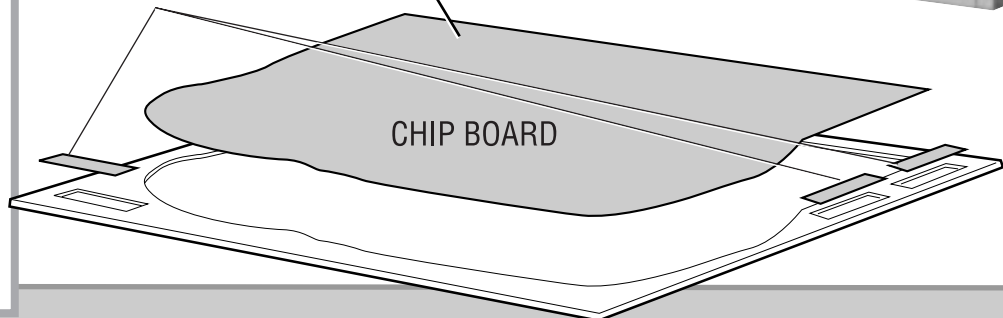
Apply labels as you prepare house for play.

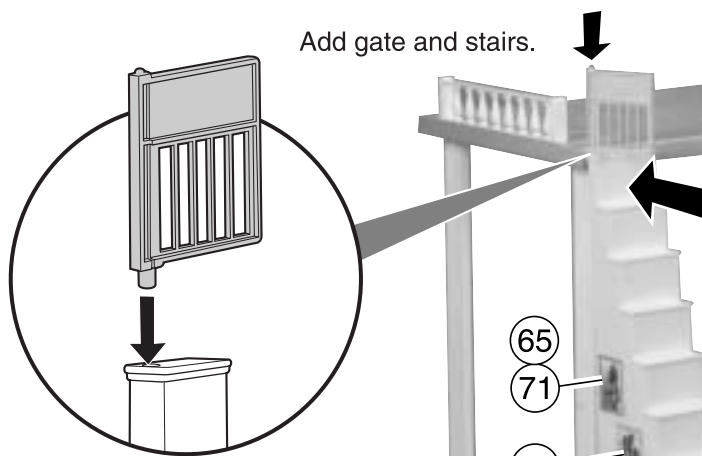
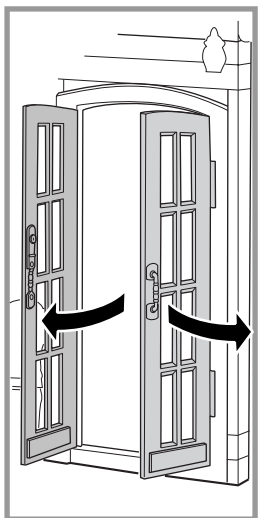
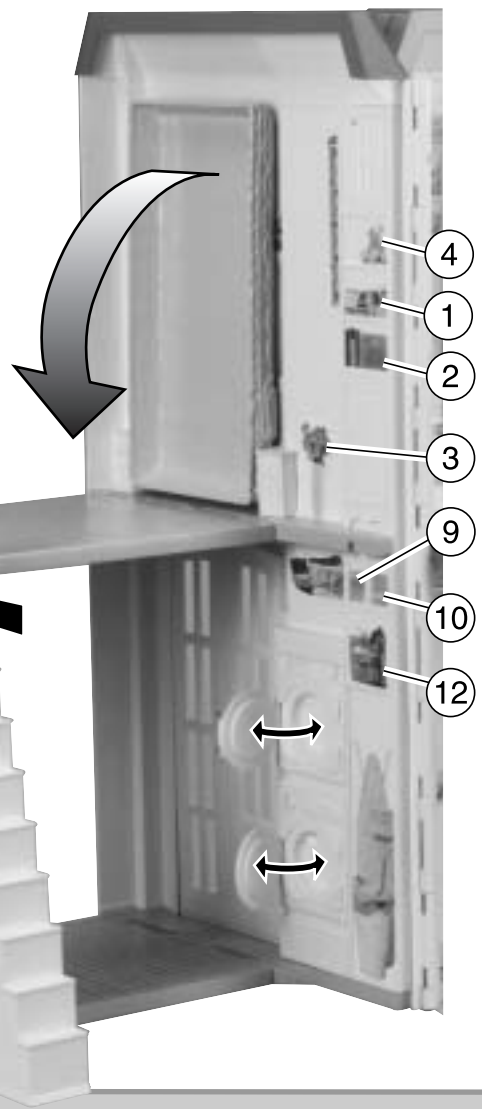
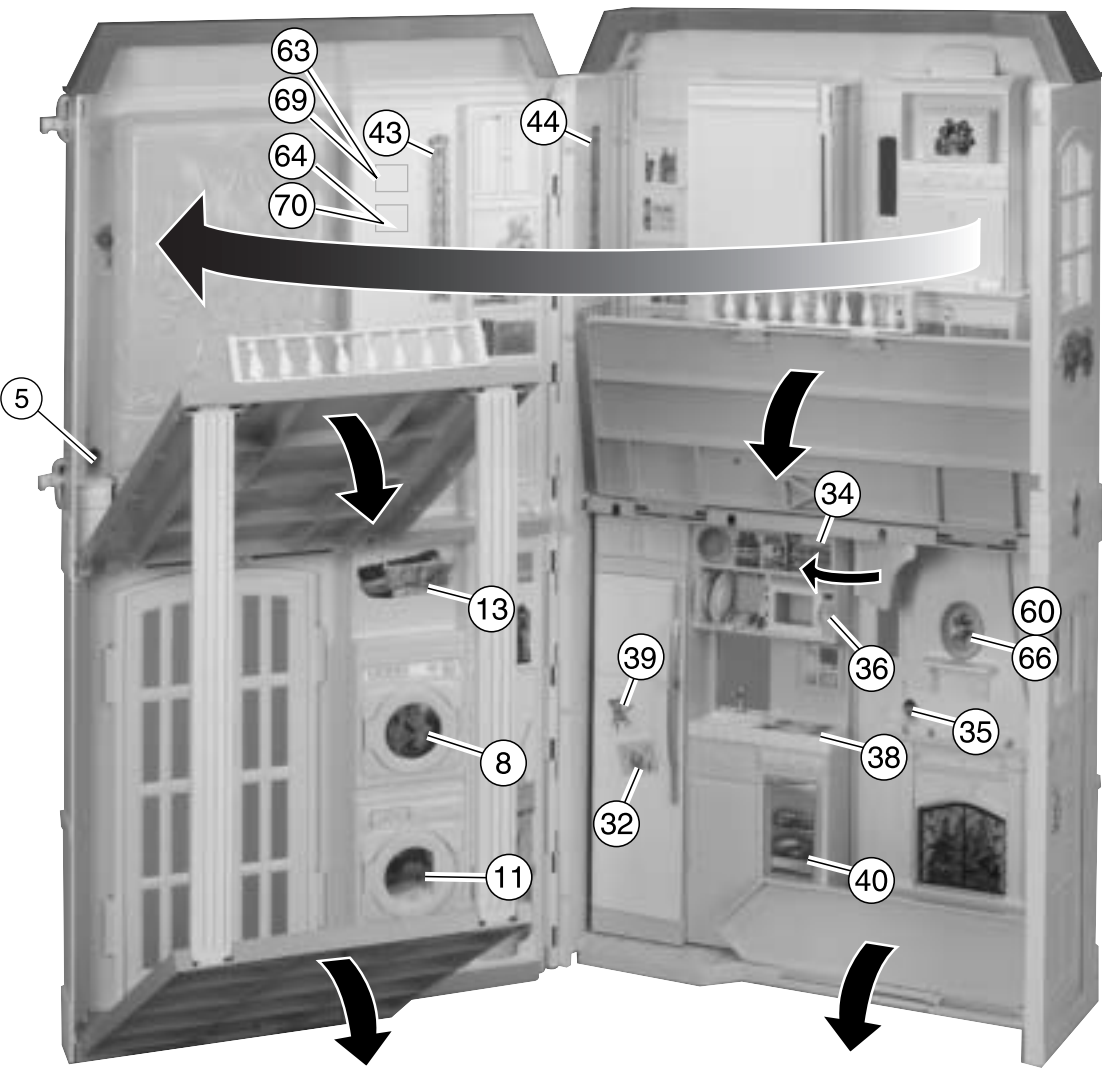


Lower latches and swing house open.

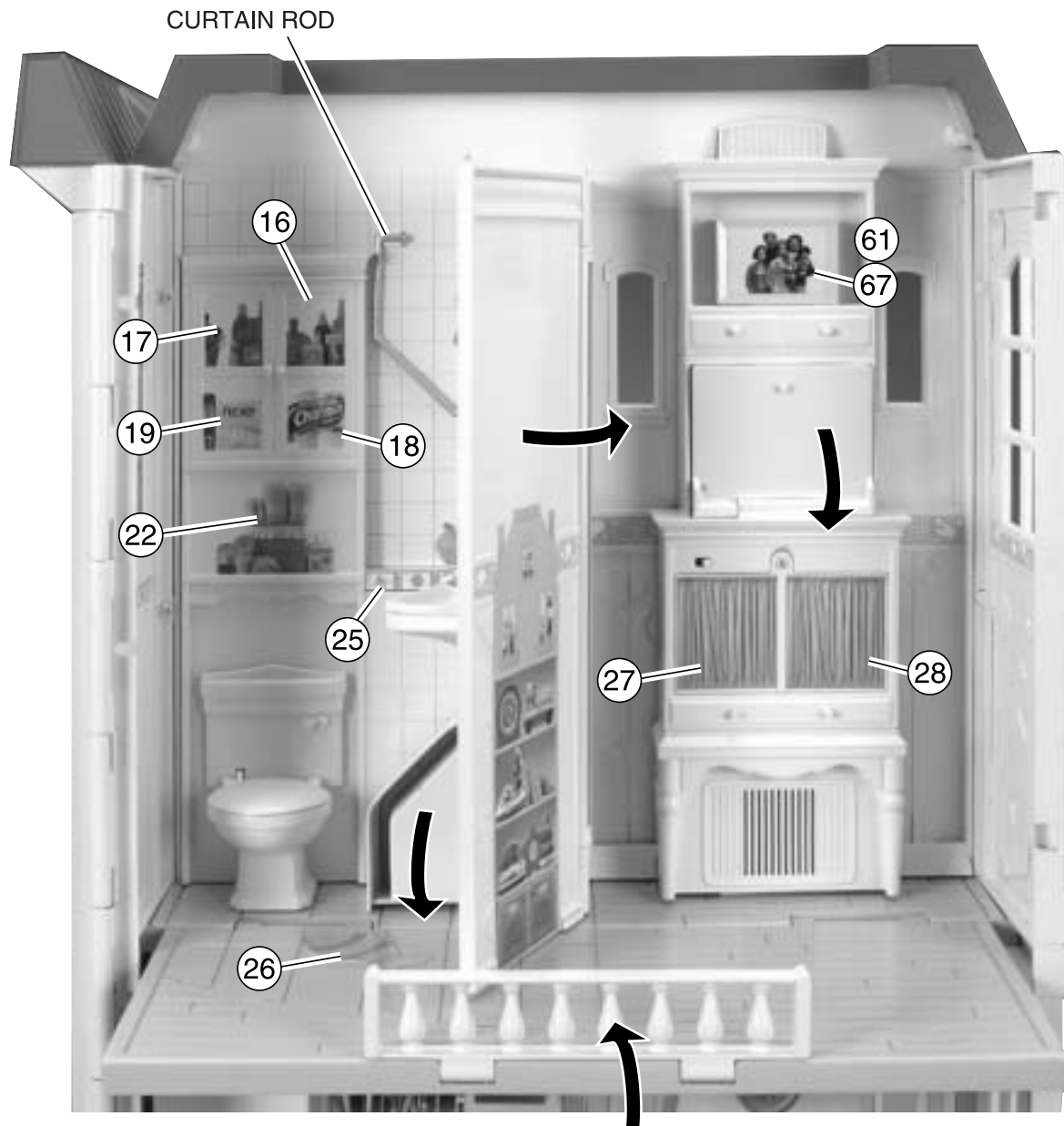


FOLD, THEN PLACE FOOD CHIPS INSIDE REFRIGERATOR





Add gate and stairs.



## REPLACE BATTERIES

Using a Phillips head screwdriver, remove battery cover and insert 3 "AA" alkaline batteries (not included). Replace cover.

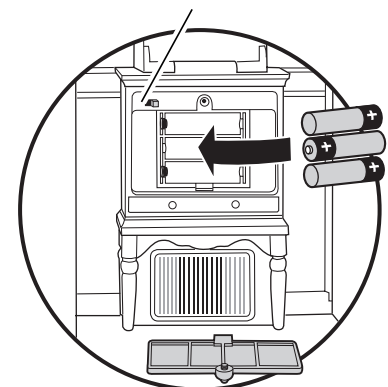
Replace batteries when sounds and phrases become garbled.

### Battery Safety Information

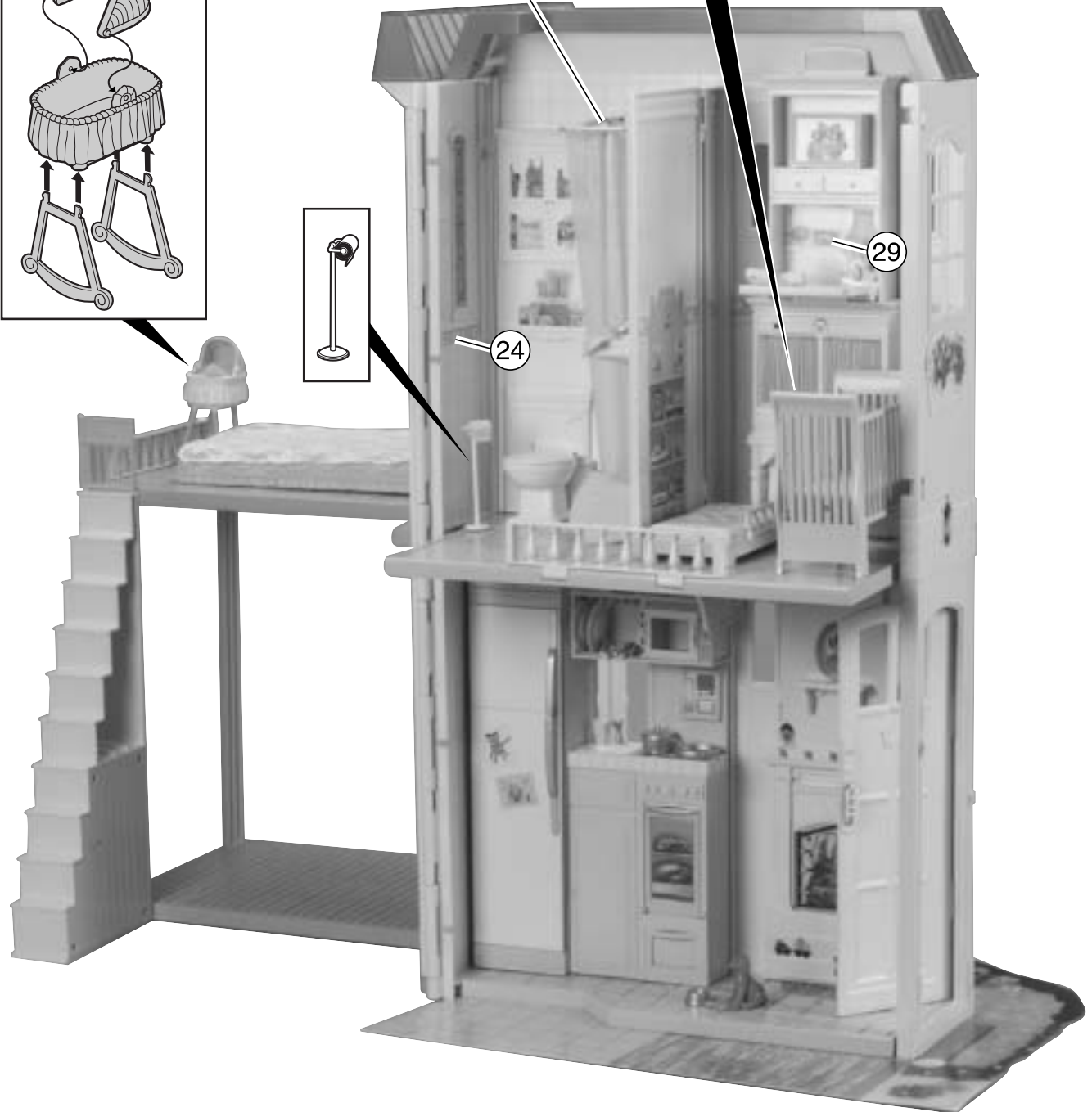
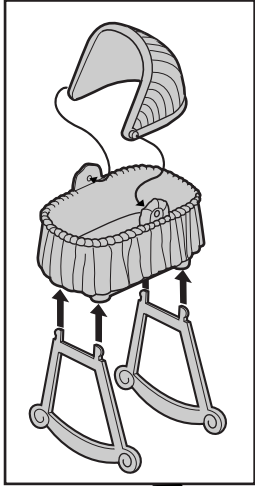
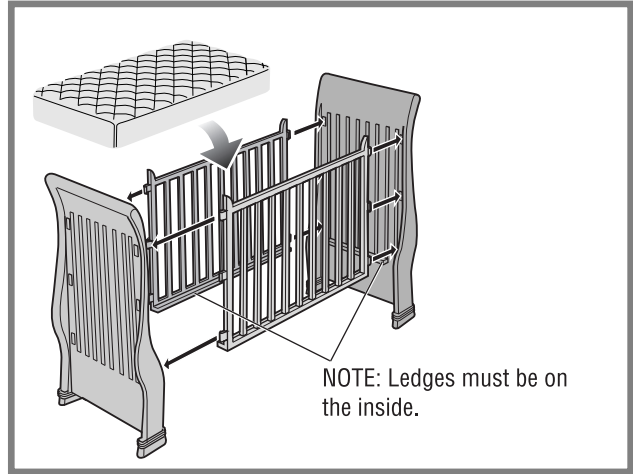
Batteries may leak fluids that can cause a chemical burn injury or ruin your toy (product). To avoid battery leakage:

- Non-rechargeable batteries are not to be recharged.
- Rechargeable batteries are to be removed from the toy before being charged (if designed to be removable).
- Rechargeable batteries are only to be charged under adult supervision (if designed to be removable).
- Do not mix alkaline, standard (carbon-zinc), or rechargeable (nickel-cadmium) batteries.
- Do not mix old and new batteries.
- Only batteries of the same or equivalent type as recommended are to be used.
- Batteries are to be inserted with the correct polarity.
- Exhausted batteries are to be removed from the toy.
- The supply terminals are not to be short-circuited.
- Dispose of battery(ies) safely.
- Do not dispose of this toy in a fire. The batteries inside may explode or leak.

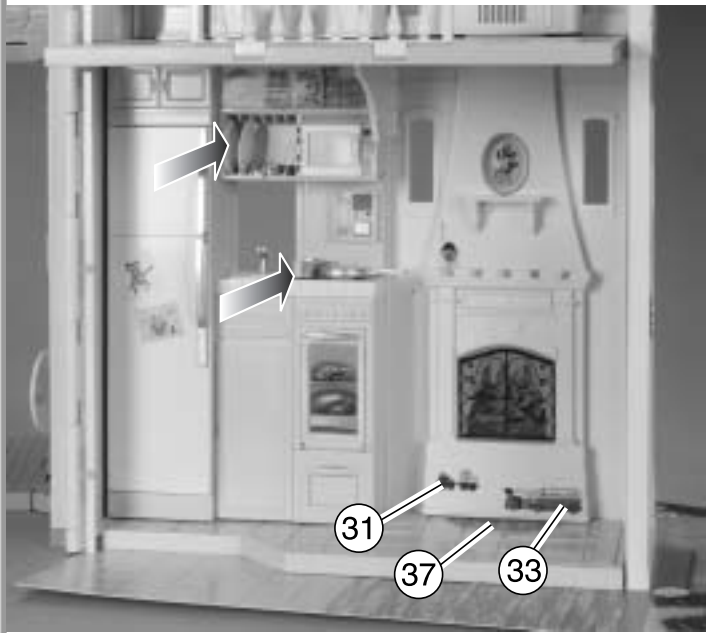
### ON/OFF SWITCH



Unsnap curtain rod and slide on the shower curtains. Snap into brackets for play. Drop down for storage.







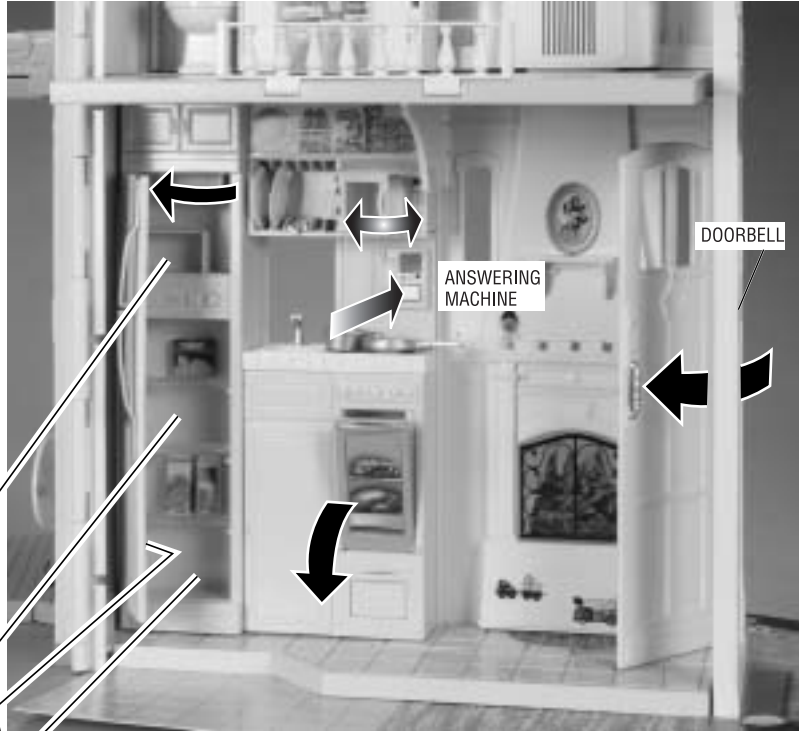
Place utensils in cupboard and on stove.  
Store parts in stove.



30

## TO PLAY

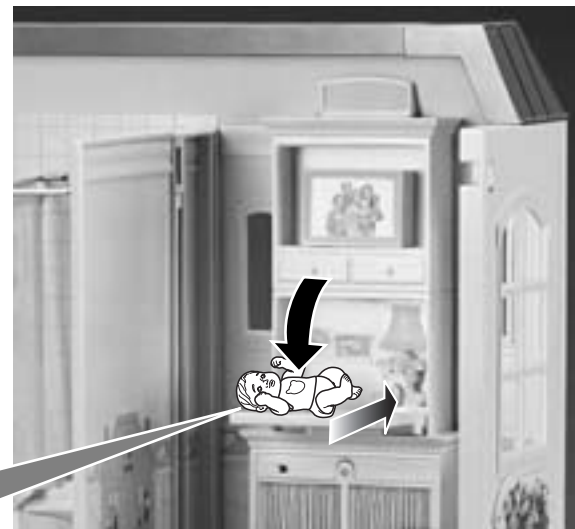
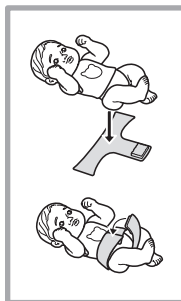
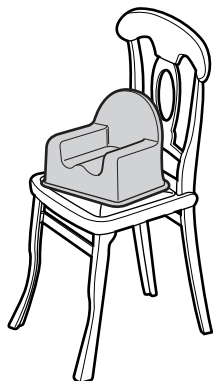
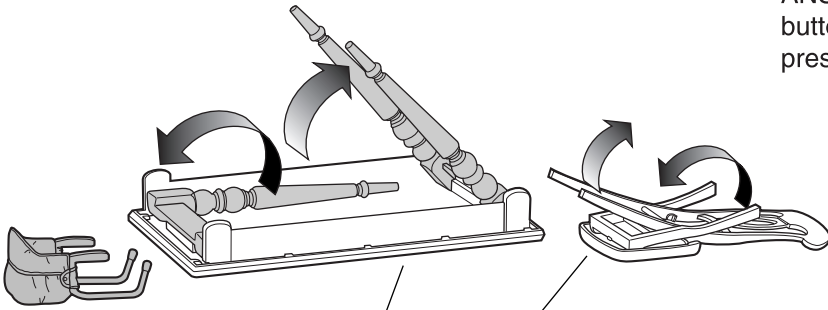
Move power switch to "ON".



- To activate light and speech: open refrigerator door
- To activate light, sounds and speech: open and close microwave door.
- To activate random sounds and speech: open door.
- To activate random sounds: press doorbell.

ANSWERING MACHINE: If light is not flashing, press button to make a call. If phone rings and light flashes, press button to hear a message.

## ASSEMBLE TABLE & CHAIRS



- To activate speech and sounds: place baby (sold separately, not included) on changing table.
  - To activate light and sounds: press button on lamp.
- Doll not included."

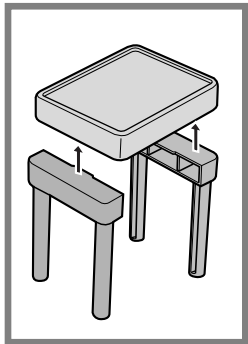
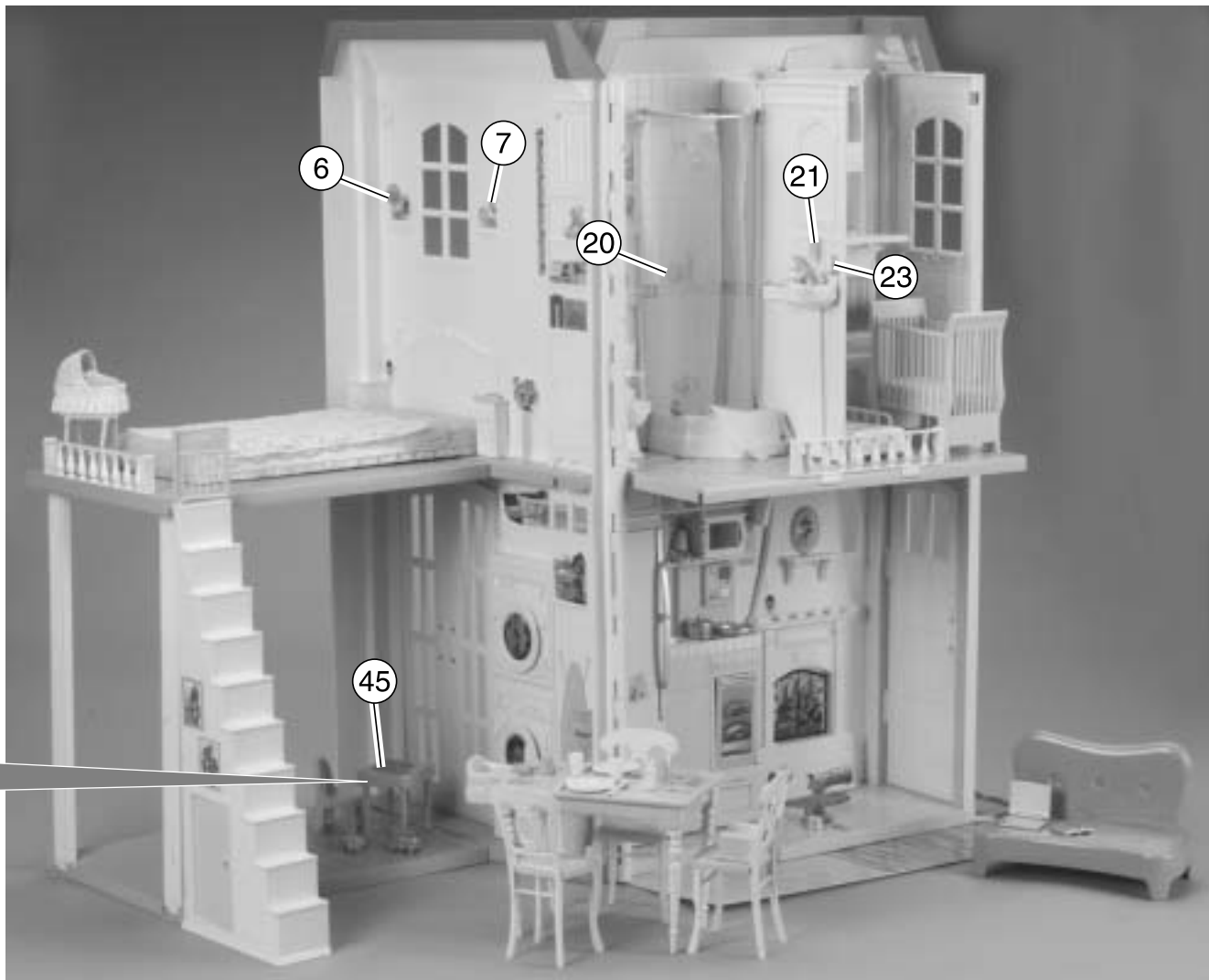


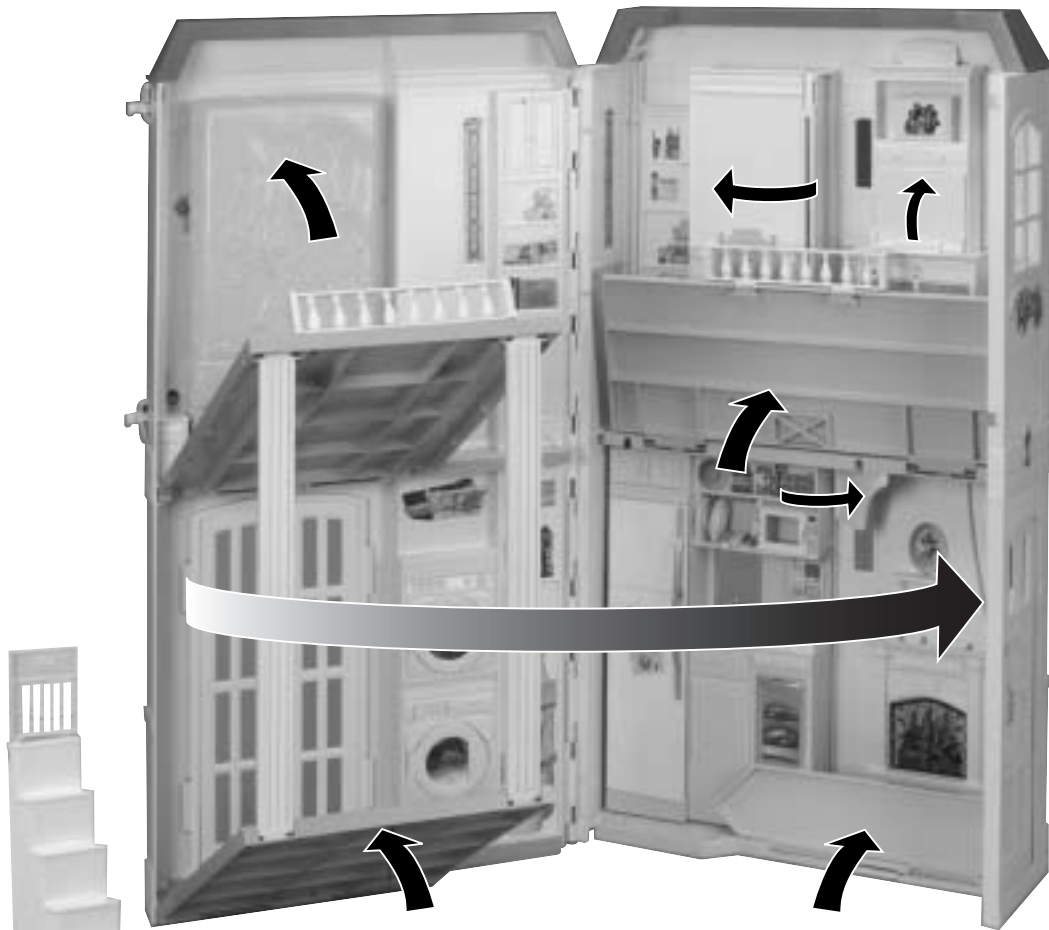
• To activate sounds and speech:  
open door, lift seat or push faucet.



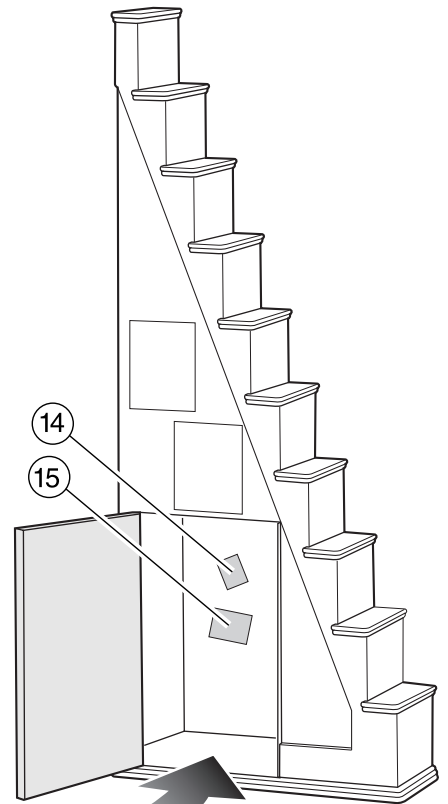
• To activate music and speech:  
press button.

*This button can also be used for outside  
accessories (sold separately).*





**STORAGE:** Remove stairs and fold up floors. Swing the two sides together and snap shut.



**CONSUMER INFORMATION**

**YOU CAN TELL IT'S MATTEL!**<sup>TM</sup> CALL us toll-free or write with any comments or questions about our products or service. Monday-Friday 8:00 a.m.-6:00 p.m. Eastern Time. Outside U.S.A., see telephone directory for Mattel listing.

**Consumer Relations, Mattel, Inc.**  
333 Continental Blvd.  
El Segundo, CA 90245 USA

**1 (800) 524-TOYS**

**WE ARE DEDICATED TO QUALITY PRODUCTS.**

Mattel Canada Inc., Mississauga, Ontario L5R 3W2. You may call us free at 1-800-665-6288.

Mattel U.K. Ltd., Vanwall Business Park, Maidenhead SL6 4UB. Helpline 01628500303.

Mattel Australia Pty., Ltd., Richmond, Victoria. 3121.  
Consumer Advisory Service - 1300 135 312.

Mattel East Asia Ltd, Room 1106, South Tower, World Finance Centre, Harbour City, Tsimshatsui, HK, China

Diimport & Diedarkan Oleh: Mattel SEA Ptd Ltd.(993532-P) Lot 13.5, 13th Floor, Menara Lien Hoe, Persiaran Tropicana Golf Country Resort, 47410 PJ. Tel:03-78803817, Fax:03-78803867.

Mattel, Inc., El Segundo, CA 90245 U.S.A. Consumer Affairs 1 (800) 524-Toys.