

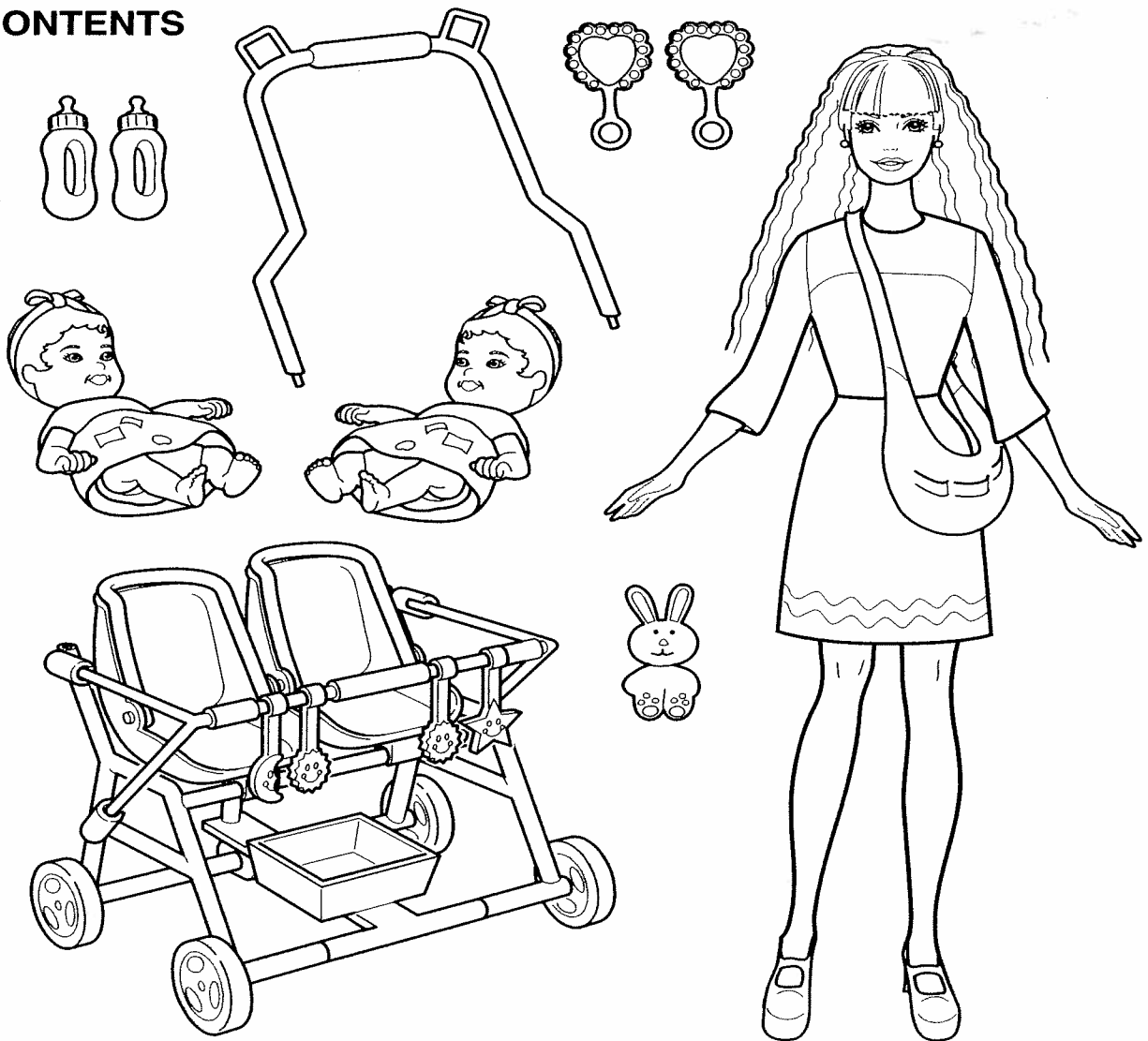
Barbie[®] Doll

Stroll'n Play!

3 in 1 Fun![™]

INSTRUCTIONS

CONTENTS



Colors and decorations may vary from those shown.

Please remove everything from the package and compare to the contents shown here.

If any items are missing, please call 1-800-524-TOYS.

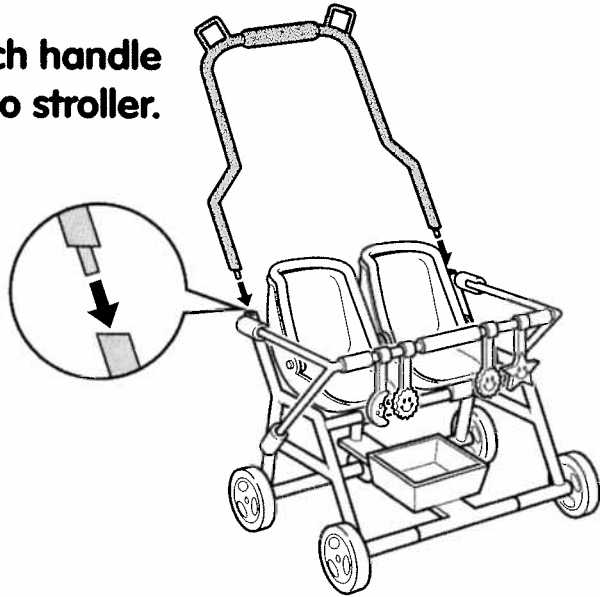


50964-0920

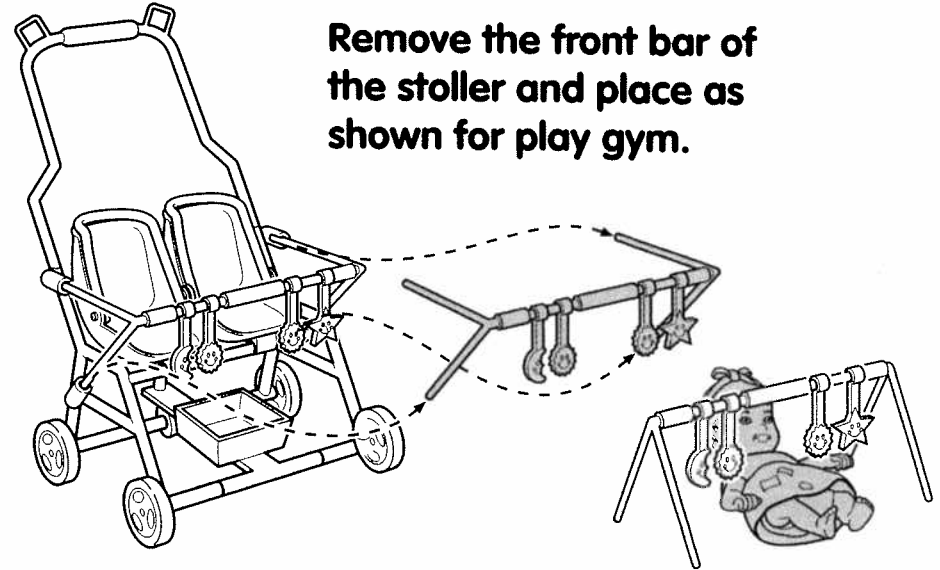
Keep these instructions for future reference as they contain important information.

Barbie® loves to take her baby sister Krissy™ and her friend to the park for the day.

Attach handle to stroller.



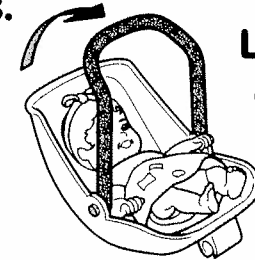
Remove the front bar of the stroller and place as shown for play gym.



Remove the seats for baby carriers.



Lift baby carrier handle.



Baby carriers also rock.



Slip Barbie® doll's hands into the hand grips on the handle. Place the babies in the seats and holding Barbie, push the stroller for bouncy action.

(The rear wheels must always touch the ground for the bouncy action to function. For best results, play on flat surface.)



TWO YEAR LIMITED WARRANTY

Mattel, Inc. warrants to the original consumer purchaser that this product will be free of defects in material or workmanship for two years (unless specified in alternate warranties) from the date of purchase. If defective, return the product along with proof of the date of purchase, postage prepaid, to Consumer Relations, 636 Girard Avenue, East Aurora, New York 14052 for replacement or refund at our option. This warranty does not cover damage resulting from unauthorized modification, accident, misuse or abuse. In no event shall we be responsible for incidental, consequential, or contingent damages (except in those states that do not allow this exclusion or limitation). **VALID ONLY IN U.S.A.** This warranty gives you specific legal rights and you may also have other rights which vary from state to state. Some states do not allow the exclusion of incidental or consequential damages, so the above exclusions or limitations may not apply to you.

Send only the product to the address above. Send all correspondence to Consumer Relations, Mattel, Inc., 333 Continental Blvd., El Segundo, California 90245-5012 U.S.A. Or you may phone us toll-free at 1-800-524-TOYS, Monday – Friday, 8:00 a.m. – 6:00 p.m. Eastern Time. Outside U.S.A., see telephone directory for Mattel listing.

CONSUMER INFORMATION

MATTY MATTEL™ toys




YOU CAN TELL IT'S MATTEL!™ CALL us toll-free or write with any comments or questions about our products or service. Monday-Friday 8:00 a.m.-6:00 p.m. Eastern Time. Outside U.S.A., see telephone directory for Mattel listing.

Consumer Relations, Mattel, Inc.
333 Continental Blvd.
El Segundo, CA 90245 USA

1(800) 524-TOYS

WE ARE DEDICATED TO QUALITY PRODUCTS.

 **WARNING:**

CHOKING HAZARD – Small parts.
Not for children under 3 years.