



Product features may vary from the picture above.



CAUTION

ELECTRIC TOY: Not recommended for children under 3 years of age. As with all electric products, precautions should be observed during handling and use to prevent electric shock.

Super Talk!™ BARBIE™ Sun Jammer™ 4x4

Owner's Manual with Assembly Instructions

Please read this manual and save it with your original sales receipt.

For Model 76960

Tools needed for assembly: Phillips Screwdriver, Slotted Screwdriver, Hammer, Safety Scissors.
Use only with Power Wheels® Type H (9.5 Amp/hr.) Batteries, Power Wheels® 30 Amp Fuses and
Power Wheels® Type H 12 Volt Charger (all included).

Requires three "AAA" (LR03) alkaline batteries (not included) for the phone.

Throughout this manual you will find important messages in the form of **WARNINGS, CAUTIONS, and NOTES.**

 **WARNING**

WARNING – SIGNALS SOMETHING THAT COULD HURT YOUR CHILD OR YOU. The message explains the hazard and how you can avoid it.

 **WARNING**

- Children can be harmed by small parts, sharp edges and sharp points in the vehicle's unassembled state, or by electrical items. Care should be taken in unpacking and assembly of the vehicle. Children should not handle parts, batteries or help in assembly of the vehicle.
- Keep small parts such as the “AAA” batteries and plastic bags out of children's reach. Dispose of plastic bags properly.
- Adult supervision is required. Children do not have the judgement necessary to avoid many accidents. Be sure that children operating this vehicle can do so safely and that they are supervised at all times.
- Improper use of this vehicle could lead to a serious or fatal accident. Allow children to play with this vehicle only when you have determined that they can do so safely. Follow all instructions to help your child enjoy this vehicle as safely as possible.
- Never use near steps, driveways, steep inclines, roadways, alleys, swimming pool areas or other bodies of water.
- Always wear shoes or sneakers when operating or riding in this vehicle.
- Never allow more than two riders; one driver and one passenger.
- Riders should sit on the seat when the vehicle is in operation.
- **Hot** motor covers. Handle carefully.
- Never alter this vehicle or its electrical system in any way. Alterations could cause a fire resulting in injury and could also ruin the electrical system.
- Use of the wrong type battery, fuse or charger could cause a fire or explosion, resulting in serious injury.
- Never add unauthorized parts to the vehicle or use substitute parts. Use only specified Power Wheels® replacement parts.
- Batteries must be handled by adults only.
- Never lift or carry the 6 volt batteries by the wires or connectors. This can damage the 6 volt batteries and possibly cause a fire resulting in injury. Lift and carry the 6 volt batteries by the cases only.
- Never permit a child to handle batteries. The 6 volt batteries are heavy and contain sulfuric acid (electrolyte), and if dropped, could result in serious injury. Read the cautions on the back panel of the 6 volt battery.
- Never allow children to charge the 6 volt batteries. Battery charging must be done by adults only. A child could be injured by the electricity involved in charging batteries.
- Examine the 6 volt batteries, charger and their connectors for excessive wear or damage each time you charge the 6 volt batteries. If damage or excessive wear is detected, do not use the vehicle until you have replaced the worn or damaged part as it could possibly cause a fire resulting in injury.
- Placing the “AAA” (LR03) batteries in the phone with the positive (+) and negative (-) markings the wrong way could cause damage or over-heating resulting in injury. The “AAA” (LR03) batteries must be positioned as shown on the battery compartment door.

 **CAUTION**

CAUTION – SIGNALS SOMETHING THAT COULD DAMAGE THE VEHICLE.

The message explains the risk and how you can avoid it.

NOTE – Is used to highlight useful information.

 **CAUTION**

- Do not operate your vehicle for the first time until you have inserted the 30 amp fuses into the 6 volt batteries and charged the 6 volt batteries for at least 18 hours. Never charge the 6 volt batteries longer than 30 hours.
- After first-time use, charge the 6 volt batteries for at least 14 hours after each use. You do not have to let the 6 volt batteries run down completely before recharging. Never charge the 6 volt batteries longer than 30 hours.
- Use the charger indoors only.
- Read and follow the Battery Care instructions on page 33. Failure to follow the Battery Care instructions may permanently damage your 6 volt batteries and will void your warranty.
- When you purchase replacement 6 volt batteries, you should buy a set. Using an older 6 volt battery with a new 6 volt battery may cause permanent damage to both 6 volt batteries.
- To avoid damaging motors and gears, do not overload the vehicle.
 - Never allow more than two children in the vehicle at one time; one driver and one passenger.
 - Do not exceed the maximum weight capacity of 130 lbs.
 - Do not tow anything behind the vehicle. The extra weight may overload it.
- Avoid operating the vehicle in wet or snowy conditions, and do not spray the vehicle with a hose. Do not wash the vehicle with soap and water. Water or moisture in the motors or electrical switches can cause them to corrode, and could cause switch failure.
- Avoid operating the vehicle on sand, loose dirt or gravel. Sand, loose dirt and gravel in the electrical switches or motors can cause them to jam, and could cause switch failure. Use this vehicle on grass, asphalt or other hard surfaces.

Table of Contents

A	Message to Parents	.4
B	Important Information	.5
C	Parts	.6
D	Parts Diagram	.8
E	First-Time 6 Volt Battery Charging	.9
F	Assembly	.11
G	6 Volt Battery Installation	.29
H	Charging the 6 Volt Batteries	.31
I	Battery Handling/Care/Disposal	.33
J	Rules for Safe Driving	.34
K	How to Operate Your Vehicle	.36
L	Frequently Asked Questions	.38
M	Problems and Solutions Guide	.39
N	Statement of Limited Warranty	.43
O	Authorized Service Centers	.43

A

Message to Parents

Thank you for purchasing the Power Wheels® **Super Talk™ BARBIE™ Sun Jammer™ 4x4!** For over 30 years, Power Wheels® has manufactured high-quality, battery-powered vehicles for children. Our goal is to provide your child with an enjoyable and safe driving experience. To help achieve this goal, it is extremely important that you read this entire manual and share the appropriate information with your child.

Your vehicle requires adult assembly. Please set aside at least 60 minutes for assembly. Read the assembly instructions carefully and identify all parts before assembly. Refer to the Parts Section beginning on page 6 for parts identification. Save all packaging material until assembly is complete to ensure that no parts are discarded.

In the unlikely event that parts are missing or damaged or if you have any questions about your Power Wheels® vehicle, please call our Consumer Affairs toll-free service lines, open from 8 AM to 6 PM (EST) Monday through Friday.

Please call us at 1-800-348-0751.

Trained customer service representatives are available to take your call in English or French.

¿Habla Español? Si usted tiene alguna pregunta ó necesita asistencia llame gratis 1-800-348-0755 para los Estados Unidos. Tenemos representantes que hablan español para atender su llamada.

We also have a nationwide Authorized Service Center network – with over 300 Authorized Service Centers. Our Authorized Service Centers will repair or replace parts under warranty at no charge. For vehicles beyond warranty, our Authorized Service Centers will perform repairs for a minimal charge. For the Authorized Service Center nearest you, please see the Authorized Service Center listing beginning on page 43.

B

Important Information

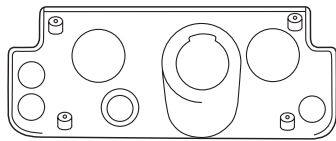
- Carefully read this manual for important safety information and operating instructions before using your vehicle.
- Please complete and return the enclosed Registration Card, or call 1-800-348-0751 to register your vehicle by phone.
- This vehicle is designed for use by children 3-7 years.
- Adult assembly is required.
- This vehicle has adjustable play seat belts. Please note that the adjustable seat belts are designed to be a play feature only and do not function as protective safety restraints.
- This vehicle uses two Power Wheels® Type H 6 volt (9.5 Amp/hr.) batteries with Power Wheels® 30 amp fuses and a Power Wheels® Type H 12 volt charger (120 VAC 60 HZ 28W with an output of 12 VDC 1200 mA). **Do not** substitute any other batteries, fuses or charger.
- **Before first-time use, charge the 6 volt batteries for at least 18 hours. Never charge the 6 volt batteries longer than 30 hours.**
- After the first charge, charge the 6 volt batteries a minimum of 14 hours after each use. Never charge the 6 volt batteries longer than 30 hours.
- Do not run down the 6 volt batteries completely before charging.
- Leaving the 6 volt batteries in a discharged condition will ruin them.
- Charge the 6 volt batteries before storing your vehicle.
- Charge the 6 volt batteries at least once per month, even if the vehicle has not been used.
- Do not store the 6 volt batteries in temperatures above 75° F or below -10° F.
- Even with proper care, the 6 volt batteries will not last forever. The life of the 6 volt batteries depends on how well you follow the Battery Care instructions and the total number of hours the 6 volt batteries are used. Please refer to the BatteryHandling/Care/Disposal instructions on page 33 for detailed information about battery care.
- When you purchase replacement Power Wheels® Type H (9.5 Amp/hr.) batteries, you should buy them as a set. Using an older 6 volt battery with a new 6 volt battery may result in poor performance and may cause permanent damage to both 6 volt batteries. Remember to charge new 6 volt batteries for at least 18 hours before first use.
- To purchase Power Wheels® Type H 6 volt batteries, Power Wheels® 30 amp fuses or a Power Wheels® Type H 12 volt charger, please contact:
 - the store where your vehicle was purchased.
 - an Authorized Service Center (see Authorized Service Center list beginning on page 43).
 - Power Wheels® Consumer Affairs at **1-800-348-0751**.
- While the 6 volt batteries are charging, the charger may become warm to the touch. This is a normal condition and does not indicate a problem.
- This vehicle is suitable for use on grass, asphalt or other hard surfaces. To prevent damage to the motors and switches, do not operate the vehicle on loose dirt, gravel or sand.
- To prevent damage to electrical components, store the vehicle inside or under a protective cover during snowy or rainy weather. Do not leave the vehicle out in the rain or let your child wash it with soap and water.
- This vehicle has a special circuit-breaker in the wiring to protect the motors and electrical system. If the vehicle is put under extreme load (driving on rough surfaces, too much weight, climbing too steep an incline), the circuit-breaker will shut the electrical system down for up to 20 seconds. If the system repeatedly shuts down, the driving conditions may be too demanding (ie: too steep or too much weight).
- Metal parts have been coated with a lubricant to protect them during shipment. Wipe all metal parts with a paper towel to remove any excess lubricant.

C

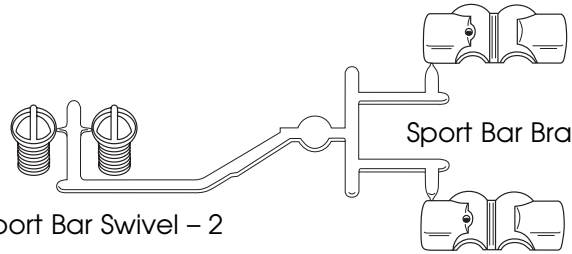
Parts

If you experience a problem with this product, or are missing a part, please call us at **1-800-348-0751**, rather than return this product to the store.

Please save all packaging material until assembly is complete to ensure that no parts are discarded.



Dashboard Plate

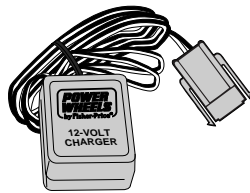


Sport Bar Swivel - 2

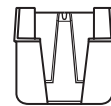
Sport Bar Bracket - 2



Steering Wheel Cap



12 Volt Charger



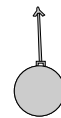
Phone Holder



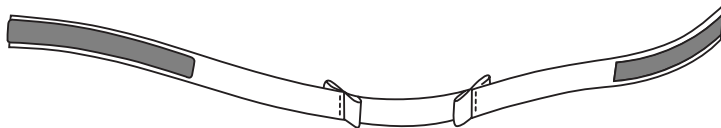
Phone



Short Seat Belt Strap - 2



Key Chain



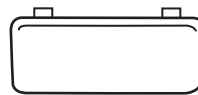
Long Seat Belt Strap



Phone Holder Clip



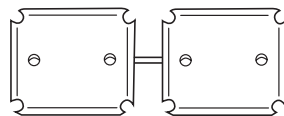
Sport Bar Support - 2



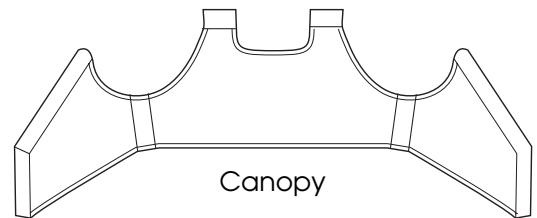
Turn Signal Lens - 2



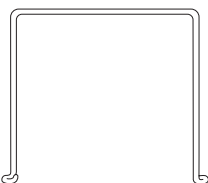
Gas Cap Assembly



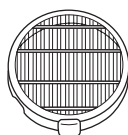
Taillight Lens Set



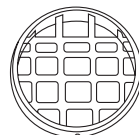
Canopy



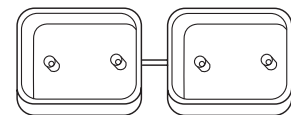
Battery Retainer



Headlight Lens - 2



Lens Guard - 2

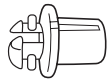


Taillight Housing Set

Parts



Hood Latch – 2



Dashboard Knob – 2



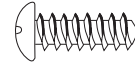
#8 x 1" Screw – 10



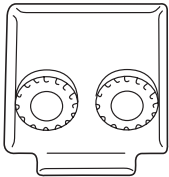
#10 x 1" Screw – 2



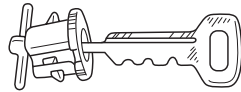
#8 x 3/4" Screw – 8



#10 x 1/2" Screw – 2



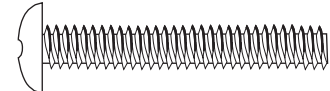
Knob Plate



Key Assembly



#8 x 1/2" Screw – 2



1/4" x 1 1/2" Machine Screw – 2



#6 x 1" Screw – 1



30 Amp Fuse – 3*



#3 x 3/8" Screw – 2**



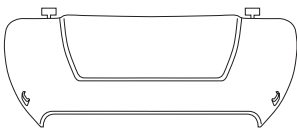
#6 x 1/2" Screw – 4



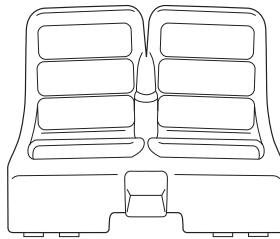
Cap Nut – 3*

All Screws Shown
Actual Size

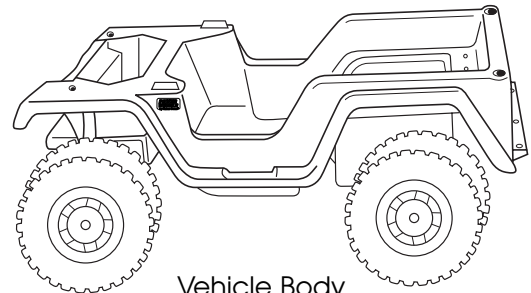
* For your convenience, an extra 30 amp fuse and cap nut have been included.
** #3 x 3/8" screws found in phone.



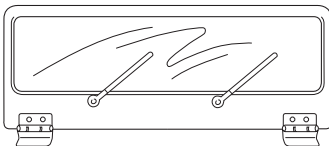
Hood



Seat



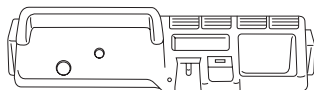
Vehicle Body



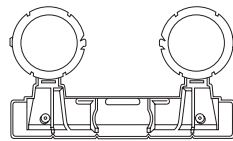
Windshield



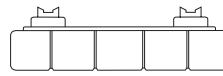
Steering Column



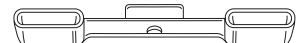
Dash



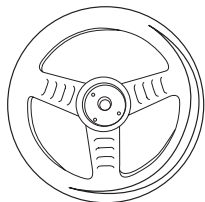
Light Rack, Rear



Light Rack, Front



Rear Bumper



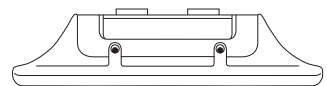
Steering Wheel



Light Cover – 2



Sport Bar



Front Bumper

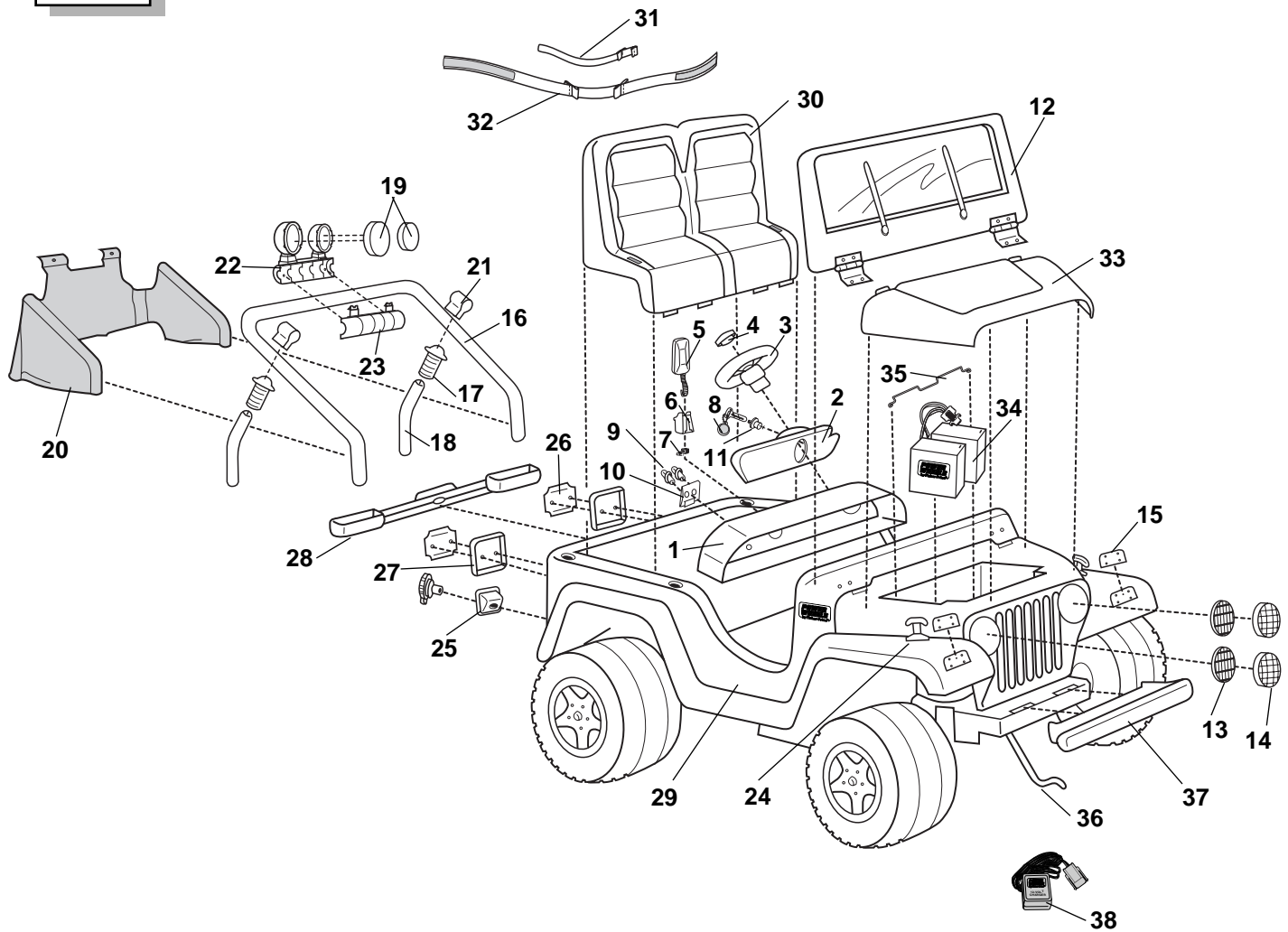


6 Volt Battery – 2

Not Shown: Label Sheets

D

Parts Diagram



Parts

- | | | |
|-----------------------|--------------------------|------------------------------|
| 1 Dash | 14 Lens Guard – 2 | 27 Taillight Housing – 2 |
| 2 Dashboard Plate | 15 Turn Signal Lens – 2 | 28 Rear Bumper |
| 3 Steering Wheel | 16 Sport Bar | 29 Vehicle Body |
| 4 Steering Wheel Cap | 17 Sport Bar Swivel – 2 | 30 Seat |
| 5 Phone | 18 Sport Bar Support – 2 | 31 Short Seat Belt Strap – 2 |
| 6 Phone Holder | 19 Light Cover – 2 | 32 Long Seat Belt Strap |
| 7 Phone Holder Clip | 20 Canopy | 33 Hood |
| 8 Key Chain | 21 Sport Bar Bracket – 2 | 34 6 Volt Battery – 2 |
| 9 Dashboard Knob – 2 | 22 Light Rack – Rear | 35 Battery Retainer |
| 10 Knob Plate | 23 Light Rack – Front | 36 Steering Column |
| 11 Key Assembly | 24 Hood Latch – 2 | 37 Front Bumper |
| 12 Windshield | 25 Gas Cap Assembly | 38 12 Volt Charger |
| 13 Headlight Lens – 2 | 26 Taillight Lens – 2 | Not Shown: Label Sheet – 2 |

E

First-Time 6 Volt Battery Charging

We recommend that you start charging the 6 volt batteries before beginning assembly of your vehicle. **Your new 6 volt batteries must be charged for at least 18 hours before you use your vehicle for the first time.**



WARNING

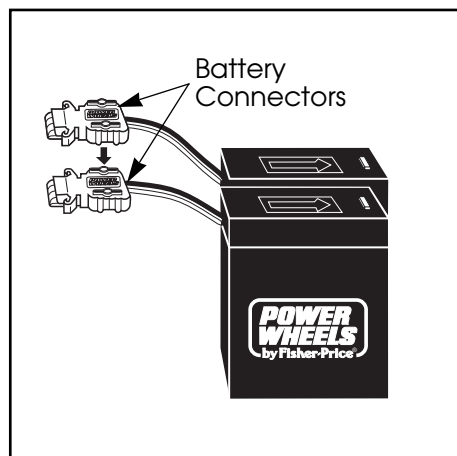
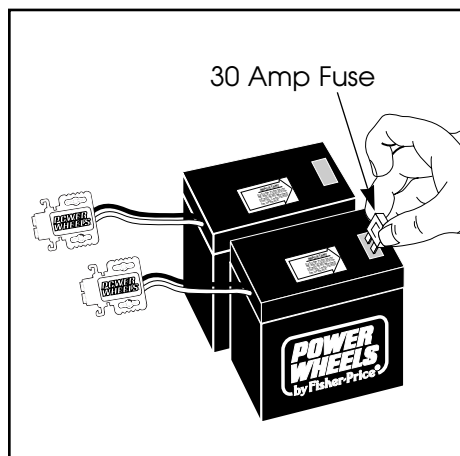
- Batteries must be handled by adults only.
- Never allow children to charge the 6 volt batteries. Battery charging must be done by adults only. A child could be injured by the electricity involved in charging batteries.
- Use of the wrong type battery, fuse or charger could cause a fire or explosion, resulting in serious injury.
- Never permit a child to handle batteries. The 6 volt batteries are heavy and contain sulfuric acid (electrolyte), and if dropped, could result in a serious injury. Read the cautions on the back panel of the 6 volt battery.
- Never lift or carry the 6 volt batteries by the wires or connectors. This can damage the 6 volt batteries and possibly cause a fire. Lift and carry the 6 volt batteries by the cases only.
- Examine the 6 volt batteries, charger and their connectors for excessive wear or damage each time you charge the 6 volt batteries. If damage or excessive wear is detected, do not use the charger or the vehicle until you have replaced the worn or damaged part.
- Never alter this vehicle or its electrical system in any way. Alterations could cause a fire resulting in injury and could also ruin the electrical system.



CAUTION

- Do not operate the vehicle for the first time until you have inserted 30 amp fuses into the 6 volt batteries and charged them for at least 18 hours. Never charge the 6 volt batteries longer than 30 hours.
- Carefully read the Battery Care instructions to obtain the best battery life. Failure to follow the Battery Care instructions may permanently damage your 6 volt batteries and may void your warranty.
- Use the charger indoors only.

First-Time 6 Volt Battery Charging

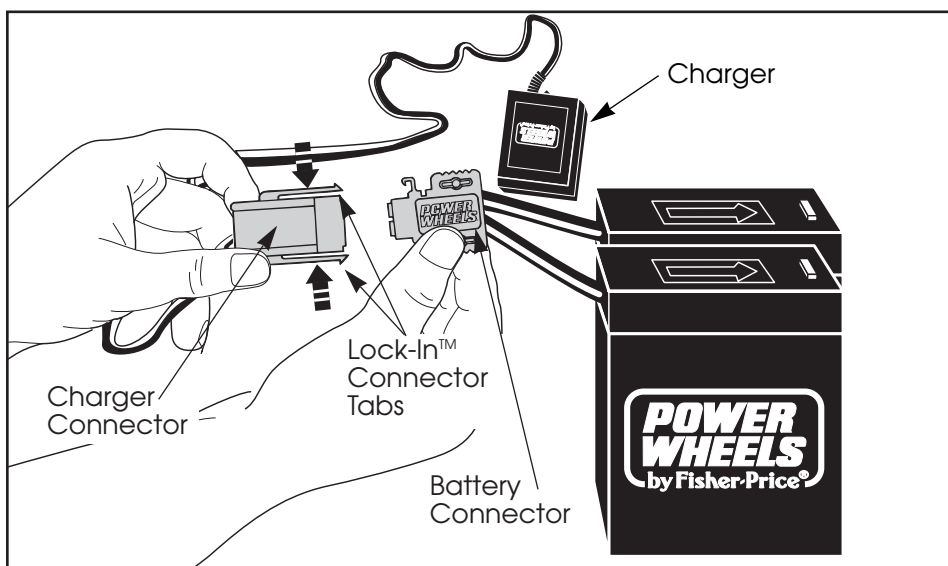


1

- Insert a 30 amp fuse into each 6 volt battery.

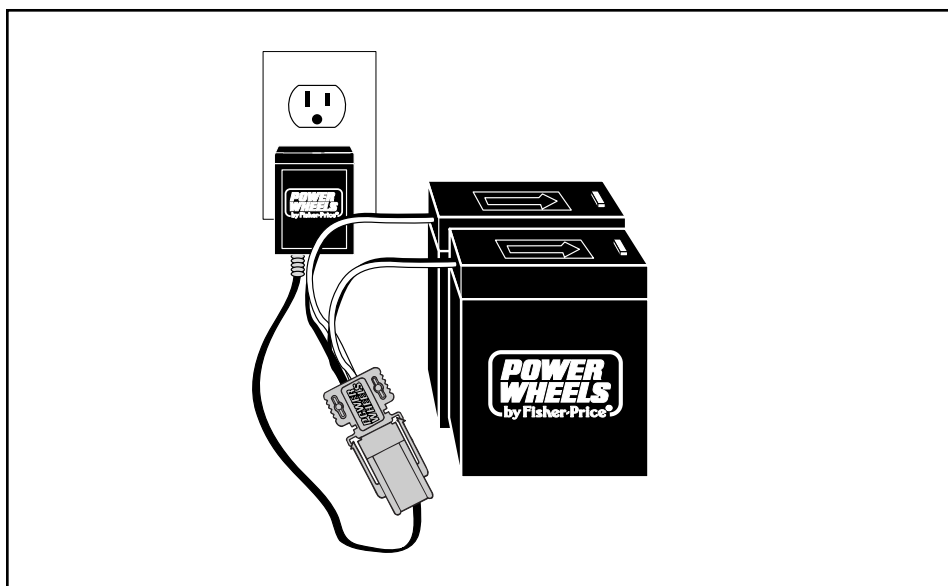
Note: The top of the fuse will not be flush with the top of the 6 volt battery when properly installed.

- Stack one battery connector on top of the other and snap them together.



2

- Squeeze the Lock-In™ connector tabs on the charger connector and plug it into the battery connector.



3

- Plug the charger into a standard 120 volt wall outlet.

Note: If power flow to the wall outlet is controlled by a switch, make sure the switch is "ON".

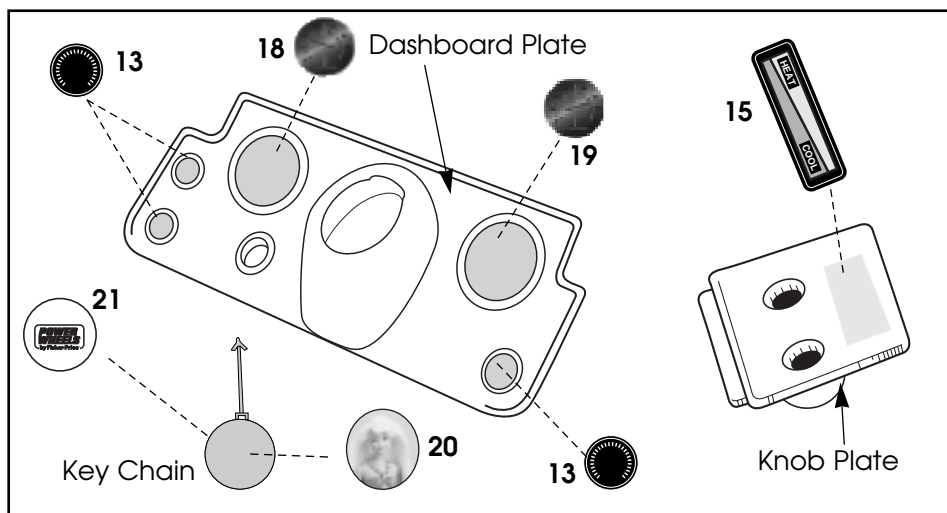
- Before first time use, charge the 6 volt batteries for **at least 18 hours**. Never charge the 6 volt batteries longer than 30 hours.

Note: The 6 volt batteries must be upright while charging.

F

Assembly

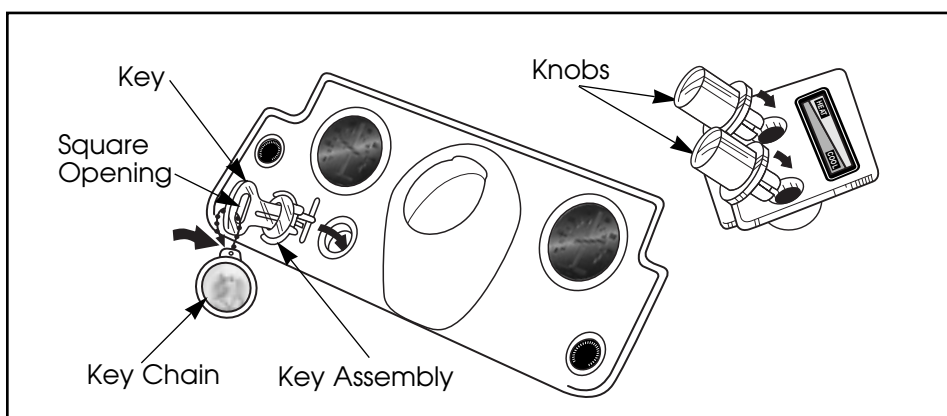
Do Not Omit Any Steps. Please set aside at least 60 minutes for assembly.



1

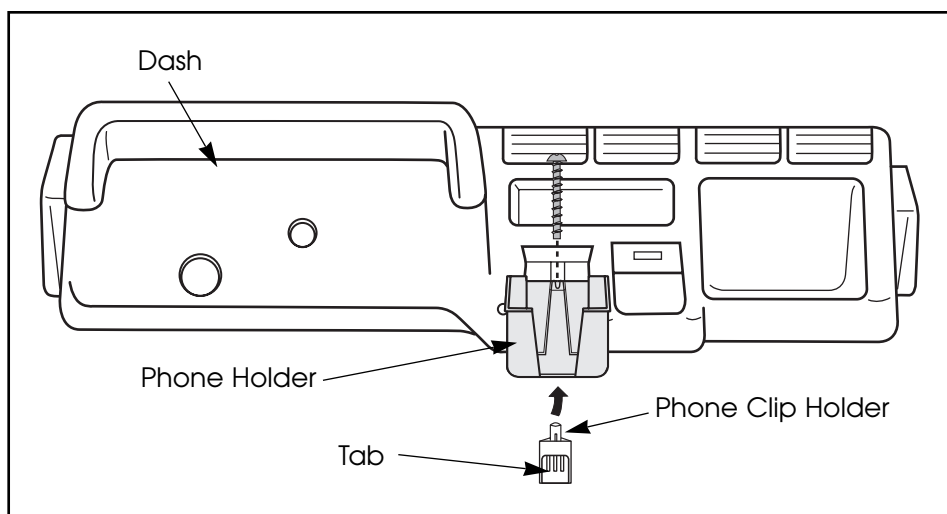
- Apply labels to the dashboard plate, knob plate, and both sides of the key chain as shown. Make sure the areas where the labels will be applied are clean and dry. For best adhesion, avoid applying labels more than once.

2



- Snap the key assembly into the dashboard plate.
 - Insert the key chain end through the key and then into the square opening in the key chain.
 - Snap the knobs into the knob plate.
- Note:** Gently squeeze the tabs on the knobs together before inserting the knobs into the knob plate.
- Set the dashboard plate and knob plate aside.

3



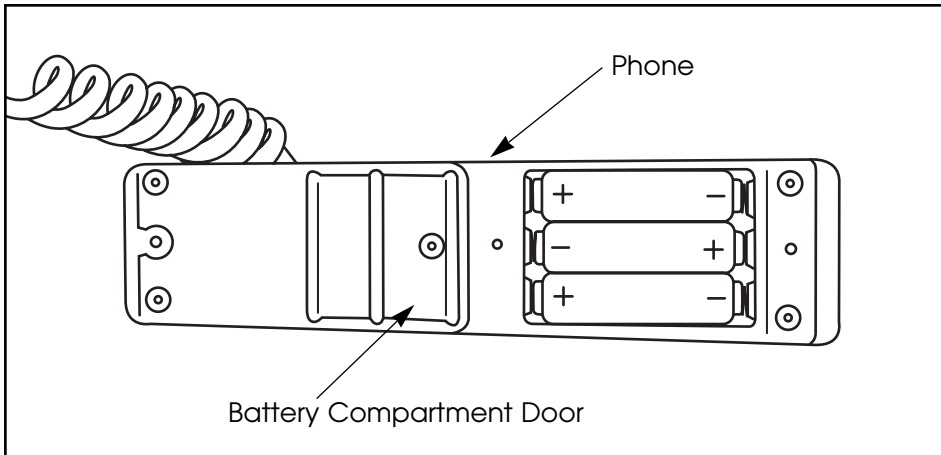
#6 x 1" Screw
Shown Actual Size

- Fit the phone holder into the pocket in the dash, as shown.
- Slide the tab on the front of the phone holder clip into the slot in the bottom of the phone holder to secure the phone holder to the dash.
- Insert a #6 x 1" screw through the top of the phone holder and the dash, and into the screw peg on the back of the phone holder clip, as shown.

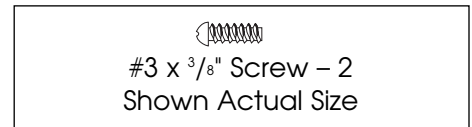
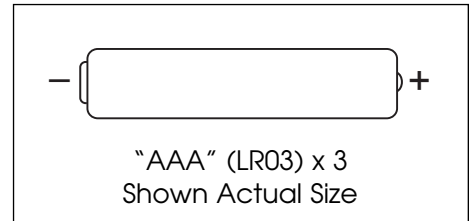
Helpful Hint: Press on the screw peg to align it with the screw holes in the phone holder and dash.

- Tighten the screw with a Phillips screwdriver. Do not over-tighten.

Assembly



4



WARNING

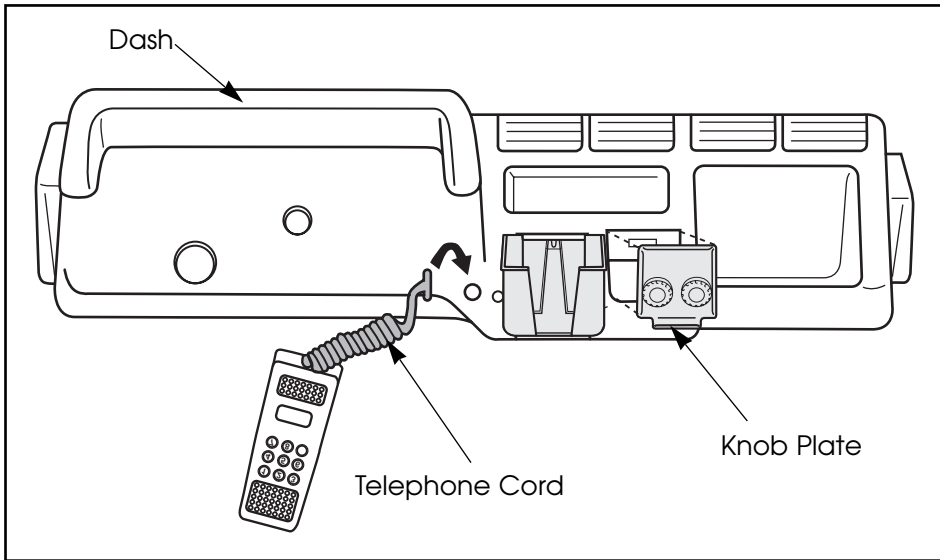
Placing the "AAA" (LR03) batteries in the phone with the positive (+) and negative (-) markings the wrong way could cause damage or over-heating resulting in injury. The "AAA" (LR03) batteries must be positioned as shown on the battery compartment door.

- Open the phone's battery compartment door and remove the packet of #3 x ³/₈" screws.
- Insert three "AAA" (LR03) alkaline batteries as indicated in the battery compartment.
- Close the battery compartment door.
- Insert the #3 x ³/₈" screws into the holes in the battery compartment door and tighten the screws with a Phillips screwdriver. Do not over-tighten.

Please Note:

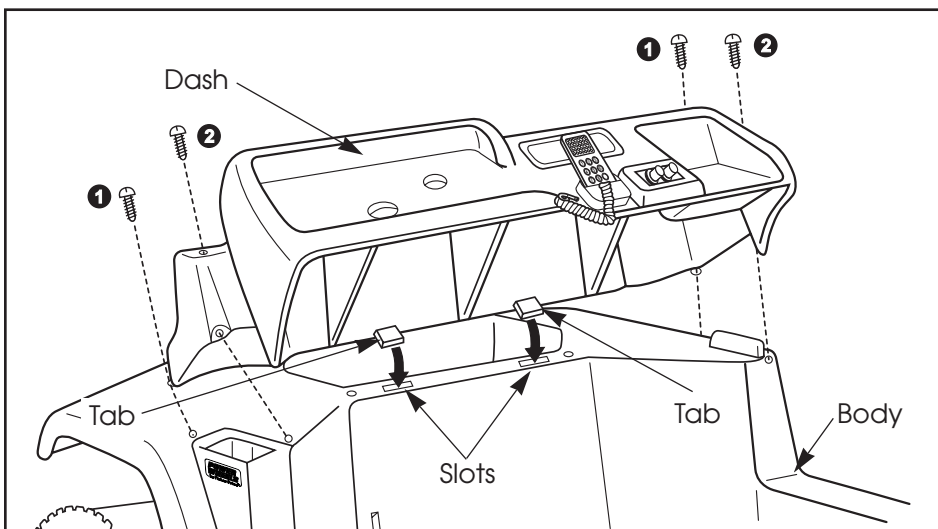
- Do not mix old and new batteries.
- Do not mix different types of batteries; alkaline, standard (carbon-zinc) or rechargeable (nickel-cadmium).
- Remove batteries during long periods of non-use. Always remove exhausted batteries from this product. Battery leakage and corrosion can damage this product.
- Never short circuit the battery terminals.
- Non-rechargeable batteries are not to be recharged.
- Only batteries of the same or equivalent type, as recommended above, are to be recharged.
- If removable rechargeable batteries are used, they are only to be charged under adult supervision.
- Rechargeable batteries are to be removed from this product before they are charged.
- If you use a battery charger, it should be examined regularly for damage to the cord, plug, enclosure and other parts. Do not use a damaged battery charger until it has been properly repaired.

Assembly





5

- Bend the end of the telephone cord so that it forms a "T".
- Insert the end of the telephone cord through the hole in the dash, as shown.
- Pull up on the end of the telephone cord to be sure it is secure.
- Place the telephone in the telephone holder with the number pad facing out.
- Position the bottom edge of the knob plate in the opening in the dash.
- Snap the top of the knob plate into the dash.



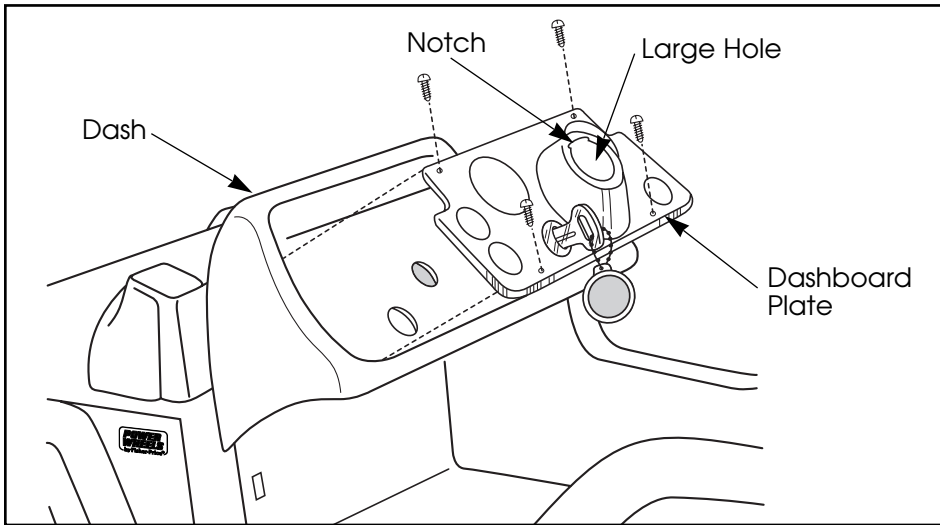
6

① 
#10 x 1" Screw - 2

② 
#10 x 1/2" Screw - 2
Both Shown Actual Size

- Fit the tabs on the dash into the slots in the front of the vehicle body.
- Insert two #10 x 1" screws through the holes closest to the front of the vehicle body and into the vehicle body ①.
- Insert two #10 x 1/2" screws through the holes closest to the seating area and into the holes in the vehicle body ②.
- Tighten each screw with a Phillips screwdriver. Do not over-tighten.

Assembly

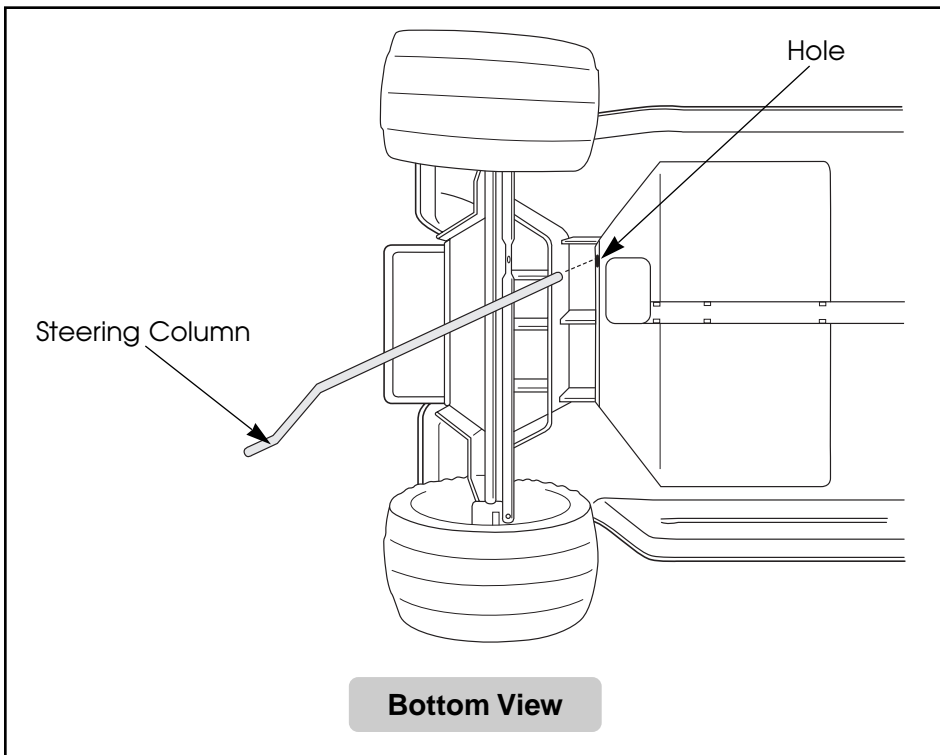


7



#8 x $\frac{3}{4}$ " Screw – 4
Shown Actual Size

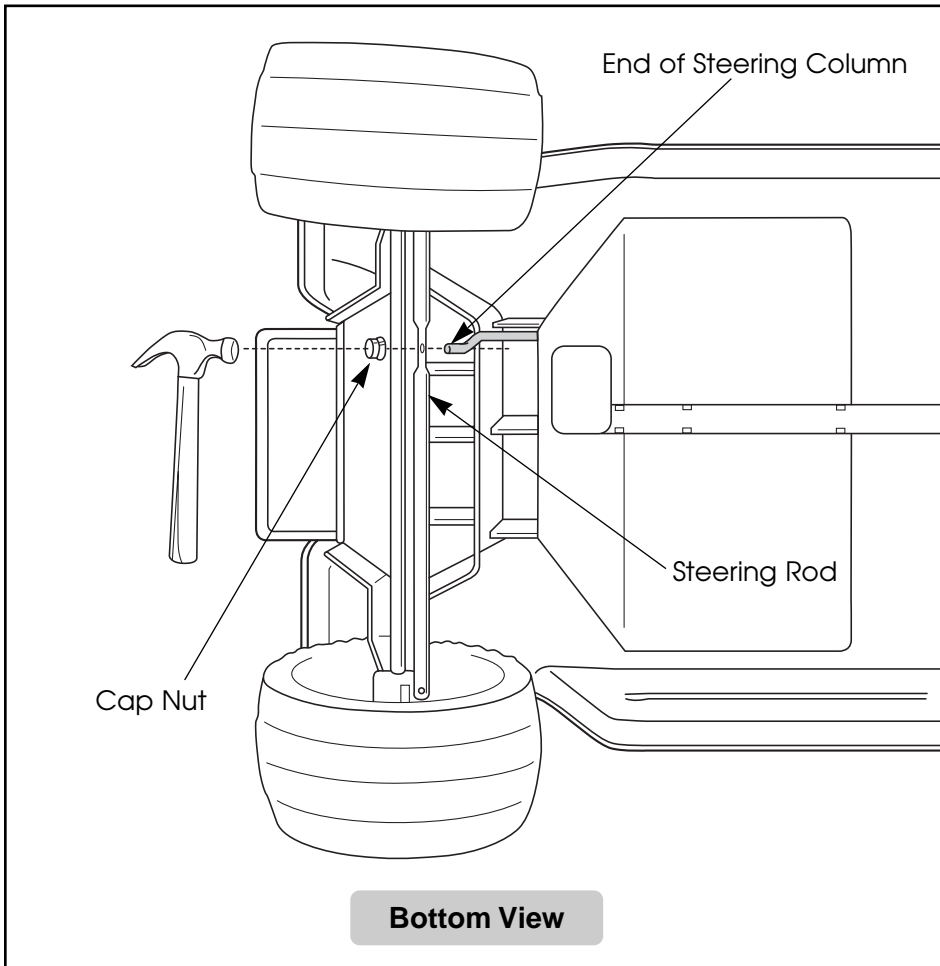
- Fit the dashboard plate on the dash. The notch in the large hole should be at the top.
- Insert four #8 x $\frac{3}{4}$ " screws as shown.
- Tighten each screw with a Phillips screwdriver. Do not over-tighten.



8

- Wipe the steering column with a paper towel to remove any excess lubricant.
- Turn the vehicle body on its side.
- Insert the straight end of the steering column up through the hole in the vehicle body wall and out through the hole in the dashboard plate.

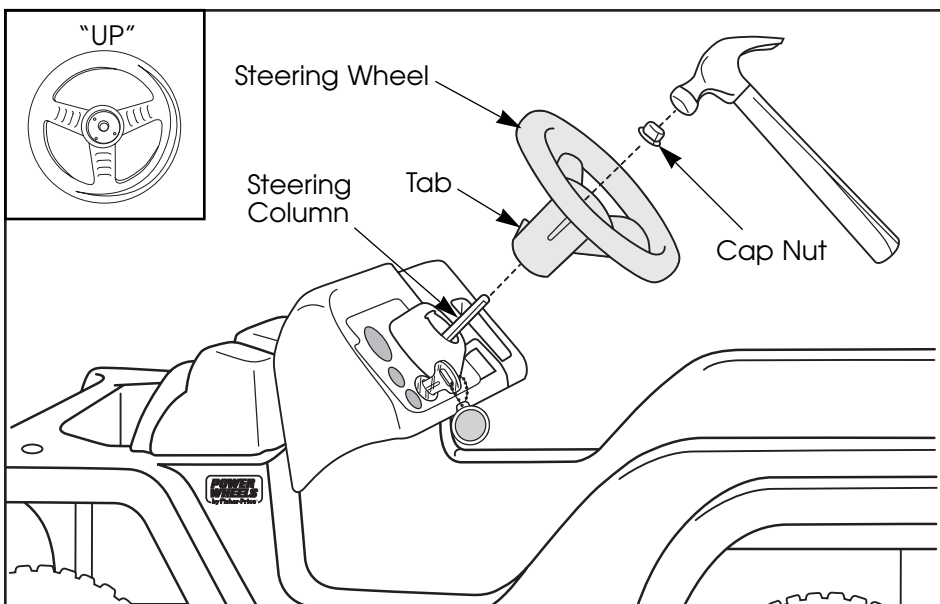
Assembly



9

- Insert the end of the steering column through the hole in the steering rod.
- Fit a cap nut onto the end of the steering column.
- While supporting the steering column, tap the cap nut with a hammer to secure it on the steering column.

Helpful Hint! You may want the help of another person to support the steering column while you tap the cap nut with the hammer.

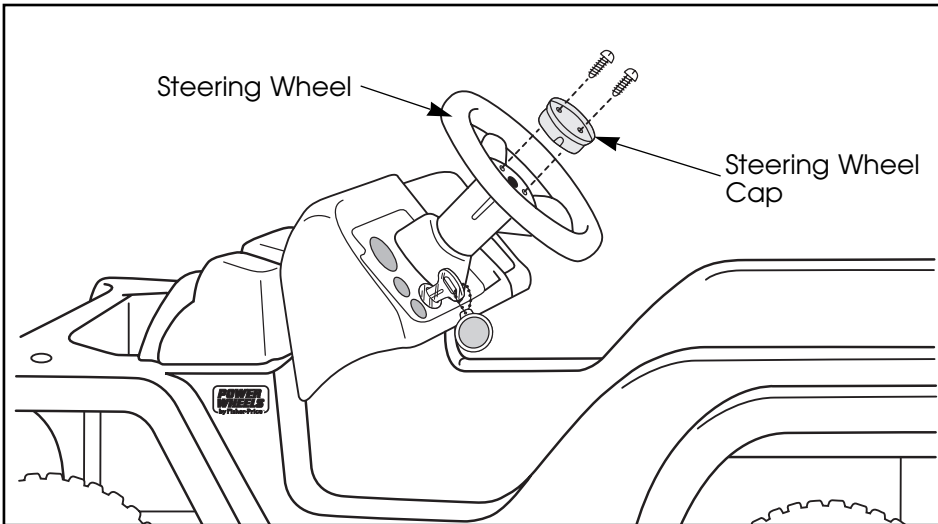


10

- Turn the vehicle body upright.
- Position the steering wheel so that the spokes form a "Y" as shown. The tab on the steering wheel stem should face up.
- Fit the steering wheel onto the steering column.
- Fit a cap nut onto the end of the steering column.
- Tap the cap nut with a hammer to secure it on the steering column.

Helpful Hint! You may want the help of another person to support the steering column while you tap the cap nut with the hammer.

Assembly

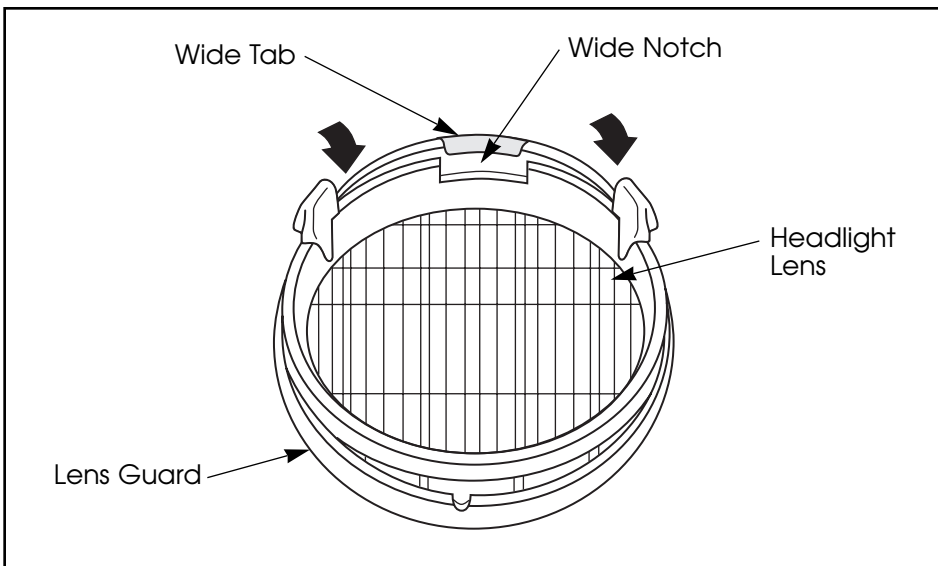


11



#8 x 1" Screw – 2
Shown Actual Size

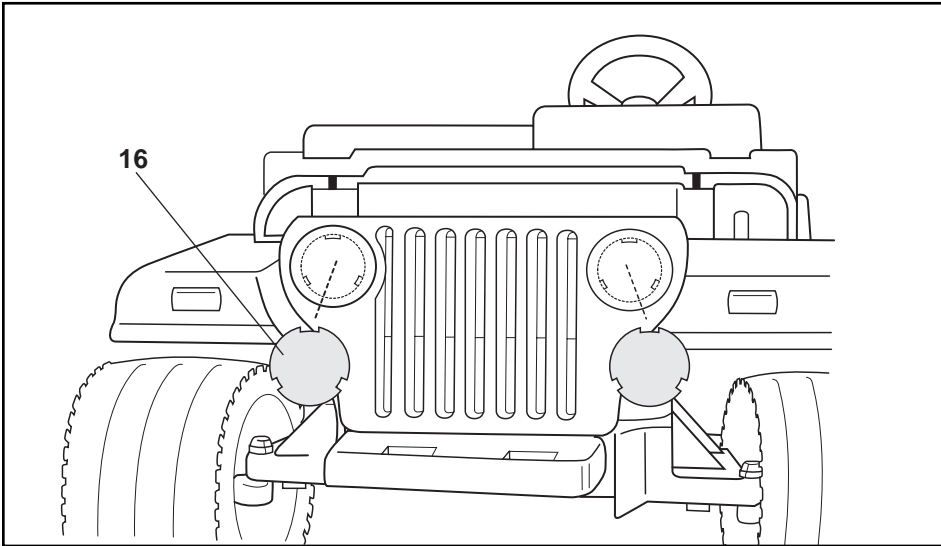
- Align the tab on the steering wheel cap with the slot in the center of the steering wheel.
- Fit the steering wheel cap into the center of the steering wheel.
- Insert two #8 x 1" screws into the steering wheel cap as shown.
- Tighten the screws with a Phillips screwdriver. Do not over-tighten.



12

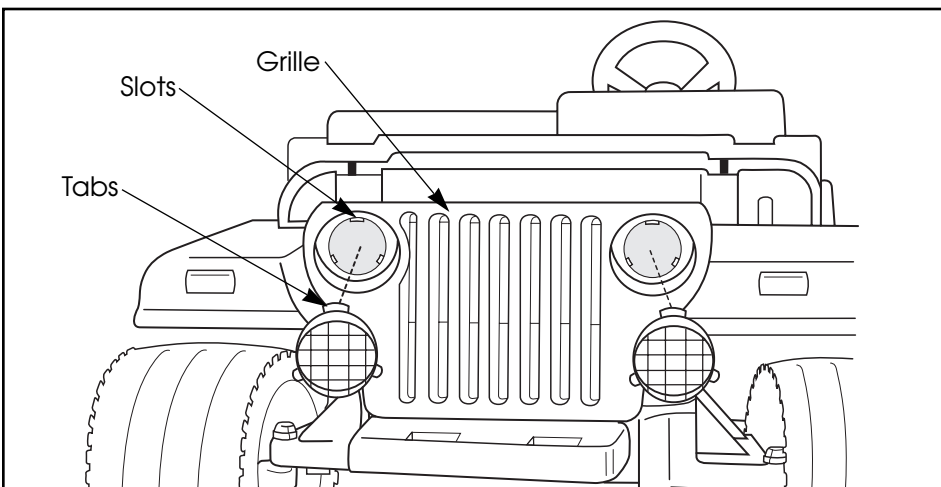
- Fit the wide notch in the side of a headlight lens under the wide tab on a lens guard.
- Press firmly on the inside of the headlight lens to snap it into the lens guard.
- Repeat this procedure to assemble the other headlight lens to the remaining lens guard.

Assembly



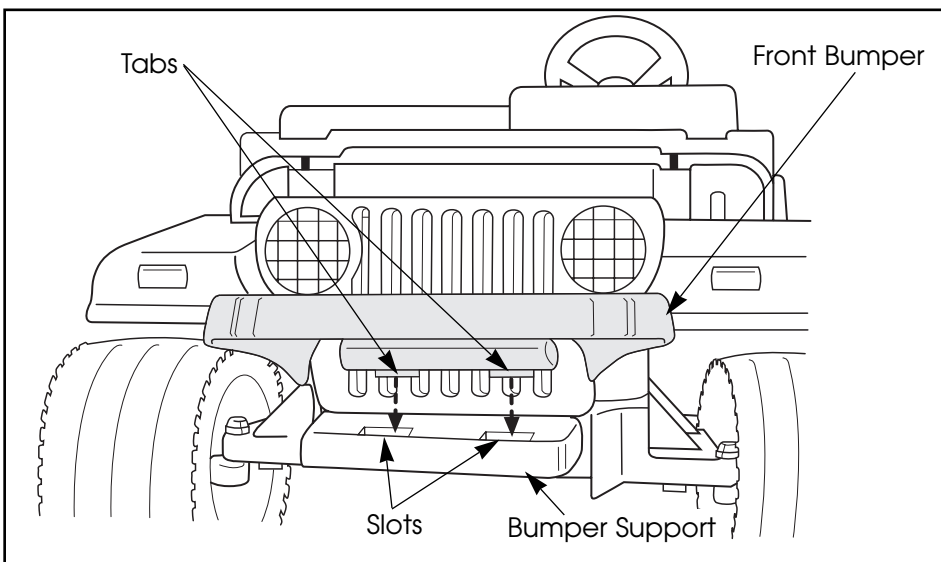
13

- Face the front of the vehicle.
- Apply labels to the vehicle body grille as shown. Make sure the areas where the labels will be applied are clean and dry. For best adhesion, avoid applying the labels more than once.



14

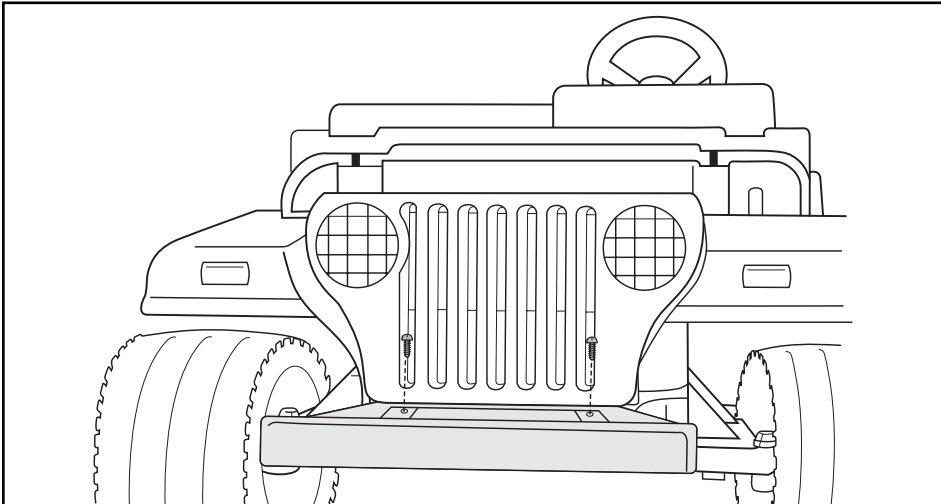
- Fit the lens tabs on the back of a headlight lens assembly (assembled in step 12) into the headlight slots in the grille.
- Press firmly to snap the headlight lens assembly into the grille.
- Repeat this procedure to snap the other headlight lens assembly into the grille.



15

- With the front bumper angled as shown, insert the tabs on the front bumper into the slots in the bumper support.
- Push down on the bumper so it lays flat on the bumper support.

Assembly

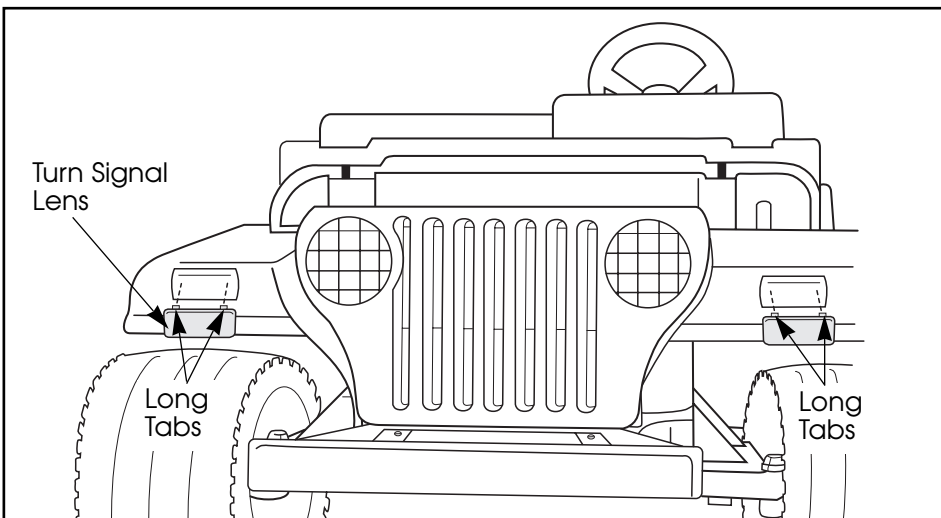


16



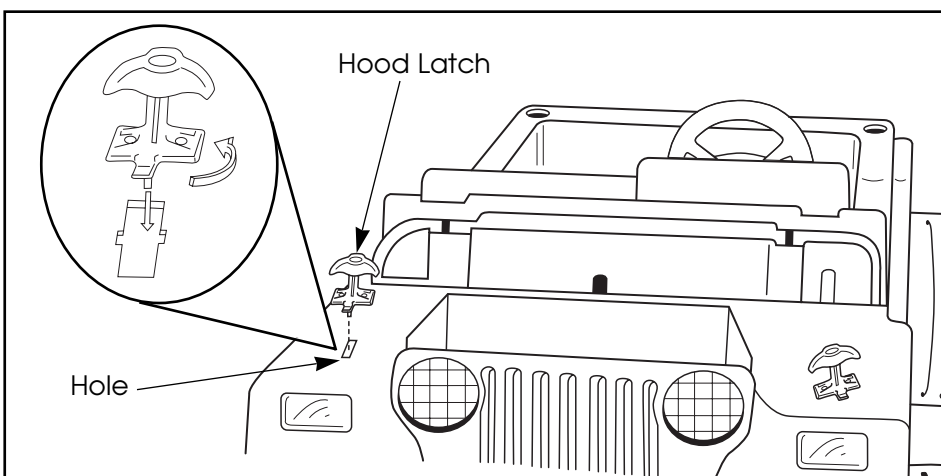
#8 x $\frac{3}{4}$ " Screw – 2
Shown Actual Size

- Insert two #8 x $\frac{3}{4}$ " screws into the front bumper as shown.
- Tighten the screws with a Phillips screwdriver. Do not over-tighten.



17

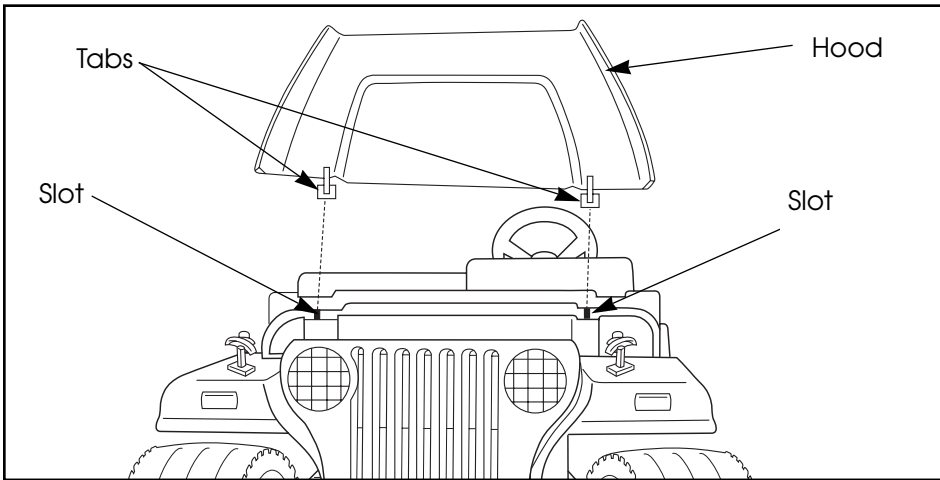
- Insert the long tabs on the top of a turn signal lens into the slots in the front of the vehicle body. The long tabs are at the top of the turn signal lens.
- Push firmly on the bottom of the turn signal lens to snap the bottom tabs into the vehicle body.
- Repeat this procedure to attach the other turn signal lens to the vehicle body.



18

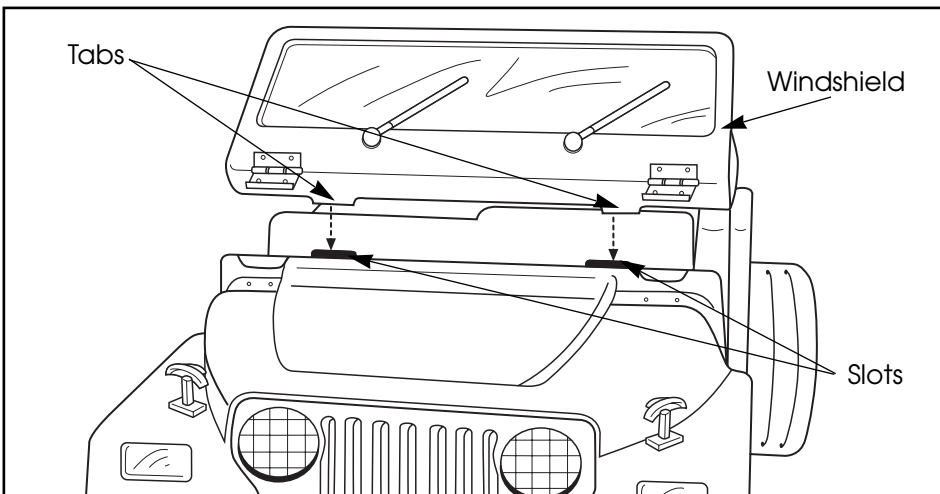
- Insert a hood latch into one of the holes in the vehicle body, near the hood area.
- Twist the base of the hood latch $\frac{1}{4}$ turn to secure it in the vehicle body.
- Repeat this procedure on the other side of the hood area to attach the other hood latch to the vehicle body.

Assembly



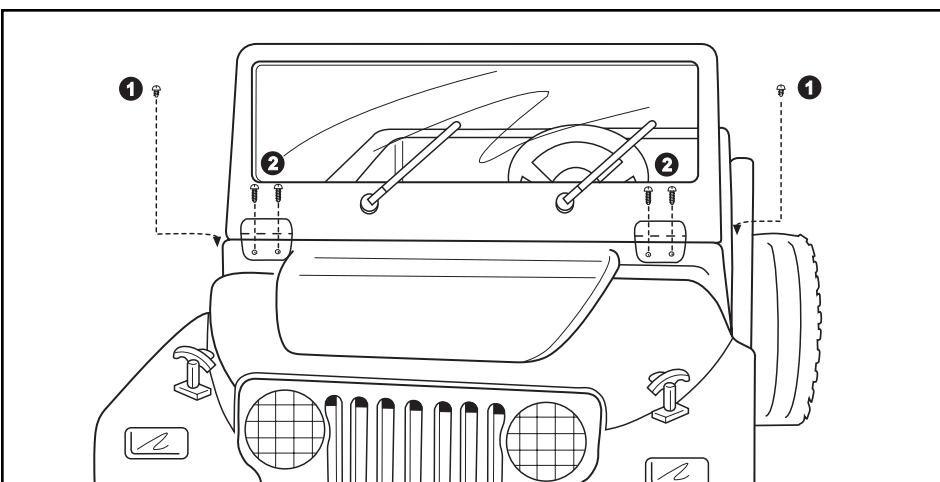
19

- Position the hood over the front of the vehicle body as shown.
- Insert the tabs on the hood into the slots in the vehicle body.
- Close the hood.



20

- Insert the tabs on the windshield into the slots in the vehicle body.



21



#8 x 1/2" Screw - 2

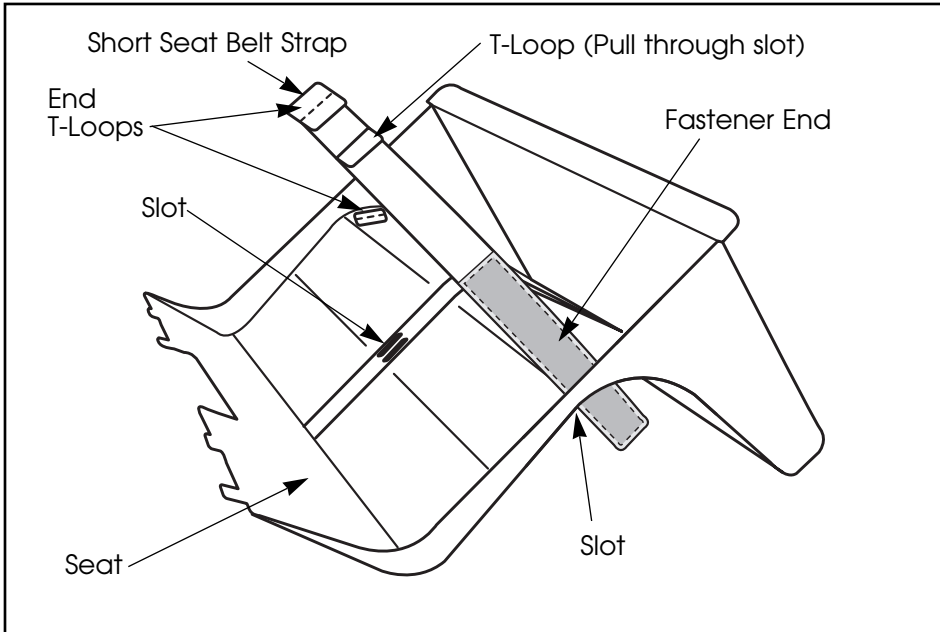


#8 x 1" Screw - 4

Both Shown Actual Size

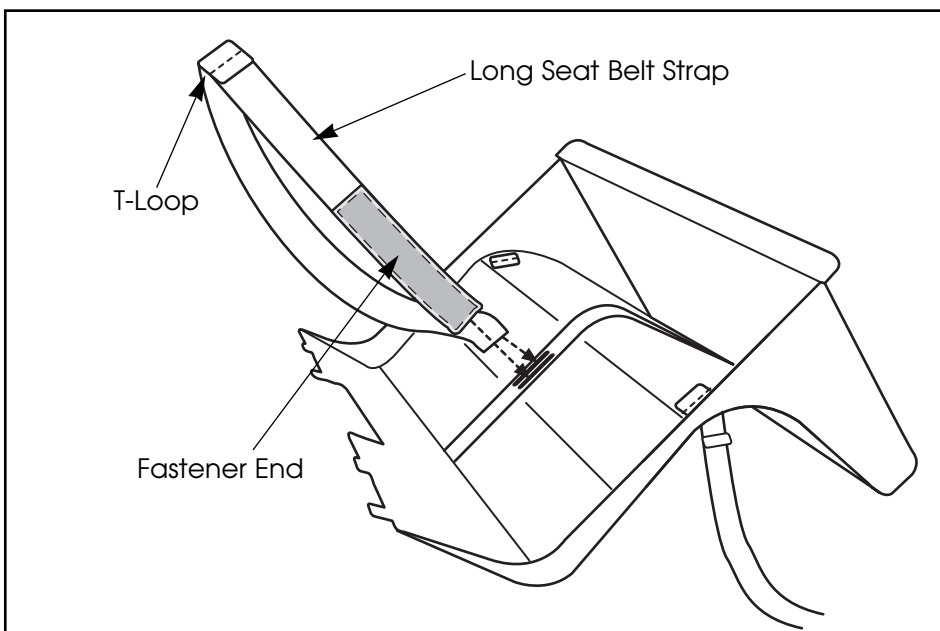
- Rotate the windshield forward so that the base of the windshield lies flat against the dash.
- Insert two #8 x 1/2" screws into the holes in the rear of the windshield as shown 1.
- Tighten the screws with a Phillips screwdriver. Make sure there is no gap between the windshield and the dash. Do not over-tighten the screws.
- Insert four #8 x 1" screws into the holes in the front of the windshield 2.
- Tighten the screws with a Phillips screwdriver. Do not over-tighten.

Assembly



22

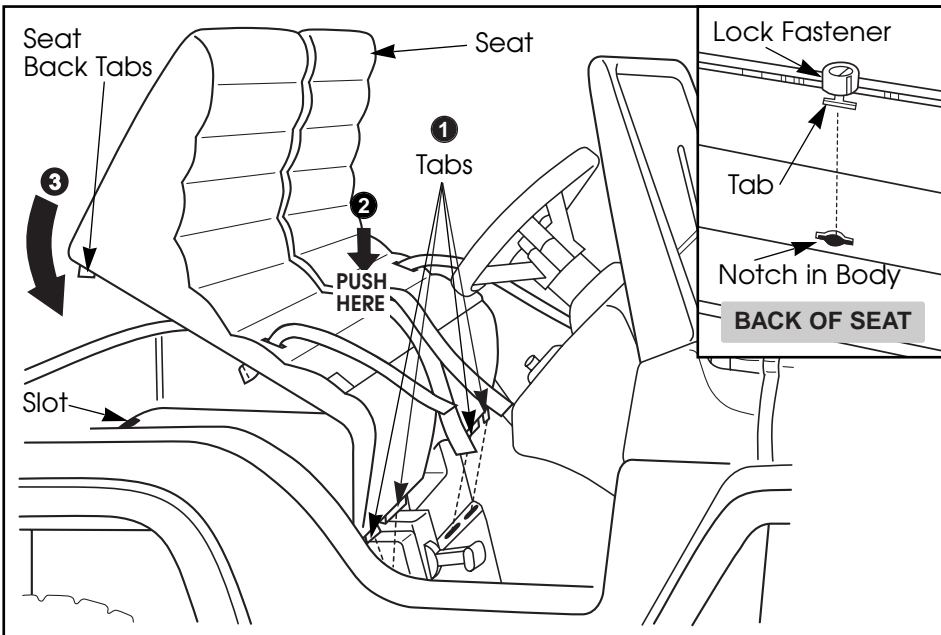
- Turn the seat upside down.
- Insert the fastener end of a short seat belt strap through the slot near the outer edge of the seat. **Make sure the side of the seat belt with the fastener faces the outer edge of the seat.**
- Pull the short seat belt strap completely through the slot until the last T-loop at the opposite end of the belt catches against the slot. (You will pull one T-loop through the slot.)
- Repeat this procedure to assemble the other short seat belt strap.



23

- Insert each fastener end of the long seat belt strap through a slot in the center of the seat. Make sure the fasteners face the outer edge of the seat.
- Pull each side of the long seat belt strap evenly through the slots. **Make sure to pull each T-loop through a slot.**
- Turn the seat upright.

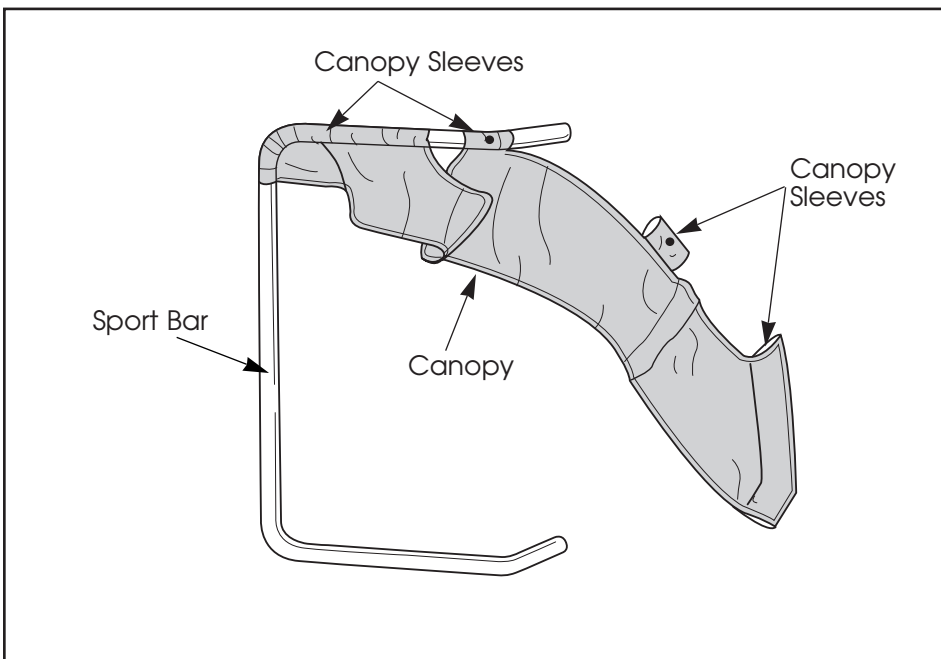
Assembly



24

- With the seat at an angle, insert the tabs on the front edge of the seat into the slots in the foot-well wall **1**.
- Push down firmly on the edge of the seat above each tab to snap the tabs into the slots **2**.
- Rotate the back of the seat down **3** to snap the seat back tabs into the slots in the vehicle body. Push down firmly on the seat back.

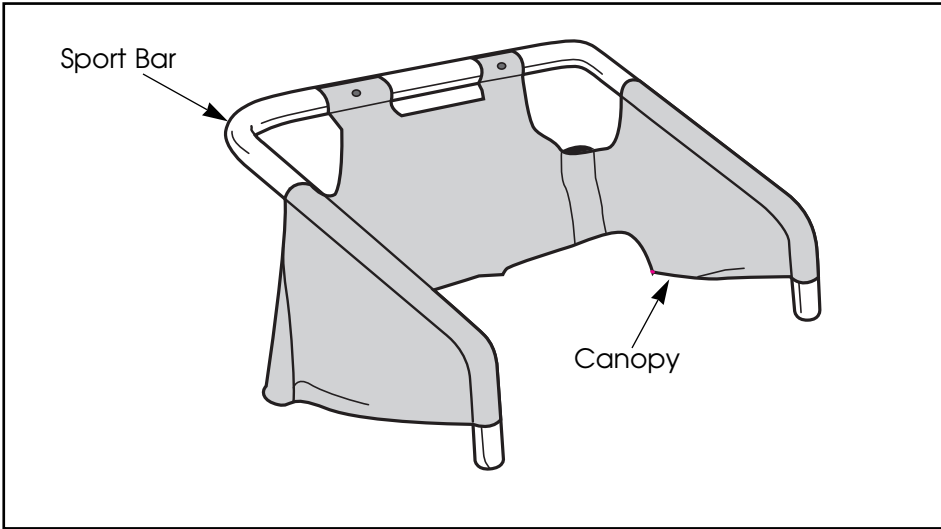
Important Note: Make sure that the tab on the lock fastener is aligned with the notch in the vehicle body.



25

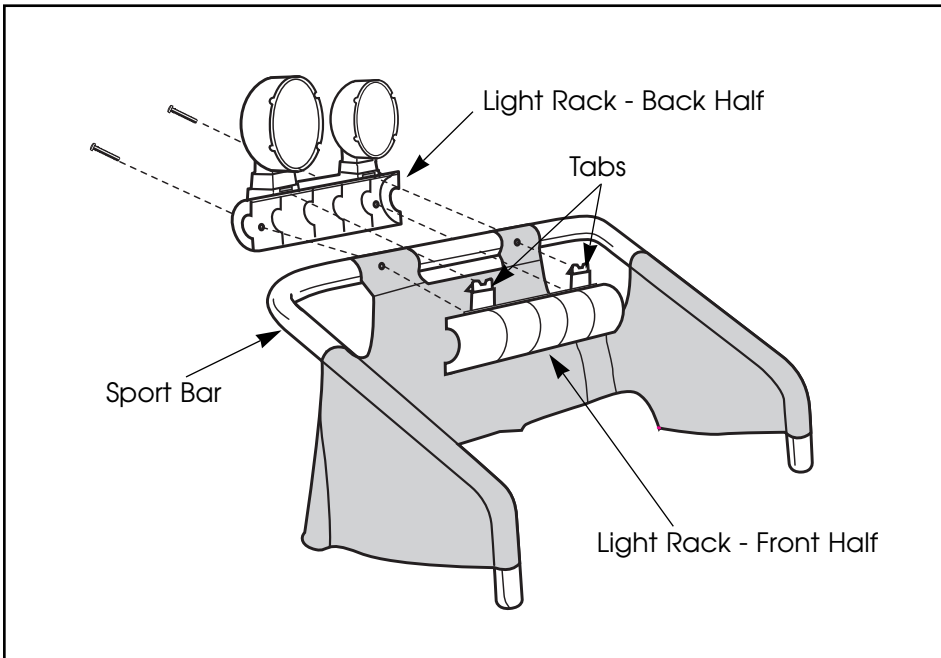
- Position the sport bar on its side so that the sport bar ends curve away from you.
- Position the canopy opposite the sport bar with the **netting facing away from you**.
- Slide the four canopy sleeves onto the sport bar, as shown.

Assembly



26

- Extend the canopy completely around the sport bar, as shown.



27



#6 x 1 1/2" Screw – 2
Shown Actual Size

- Position the sport bar upright, as shown.
- Fit and hold the front and back halves of the light rack against the sport bar. Make sure the two light rack halves are aligned, and that the screw holes in the light rack are aligned with the screw holes in the canopy and the sport bar.
- Snap the tabs on the front half of the light rack into the slots below the lights on the rear half of the light rack.
- Insert two #6 x 1 1/2" screws through the holes in the back of the light rack, through the sport bar, and into the front half of the light rack.
- Tighten the screws with a Phillips screwdriver. Do not over-tighten.
- Set the sport bar assembly aside for assembly step 29.

Assembly

28

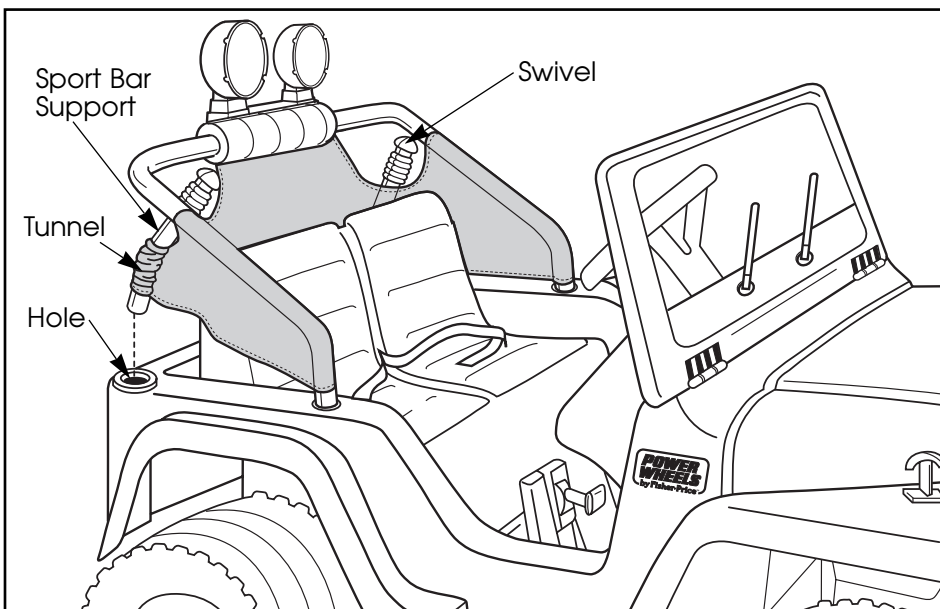
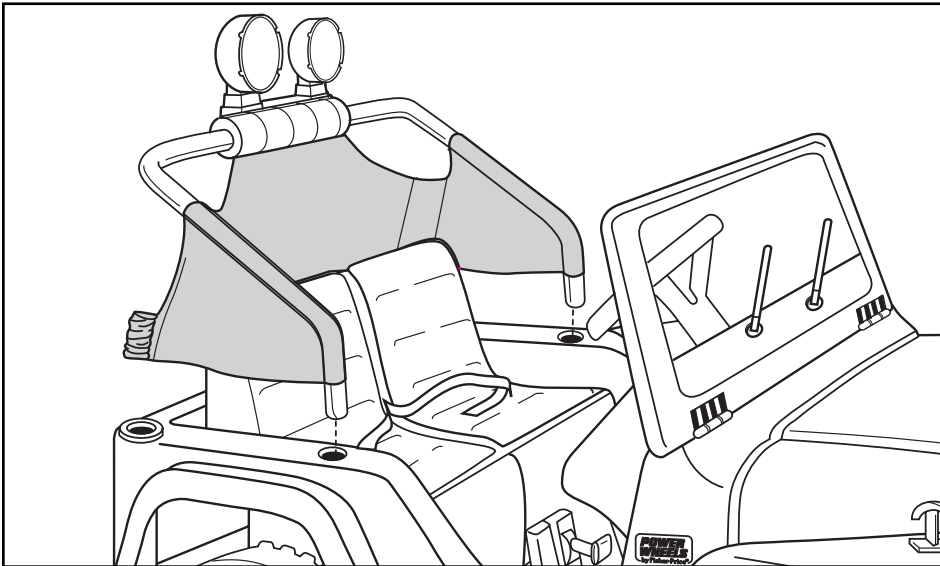
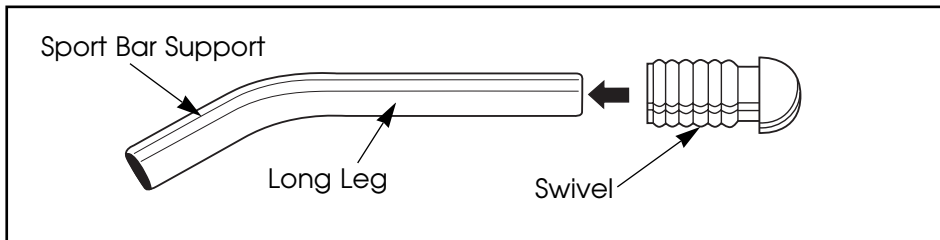
- Using safety scissors, remove the sport bar brackets and sport bar swivels from the plastic connector. Dispose of the plastic connector.
- Fit a swivel onto the long leg of a sport bar support.
- Press the sport bar support firmly into the swivel.
- Repeat this procedure to assemble the other sport bar support.

29

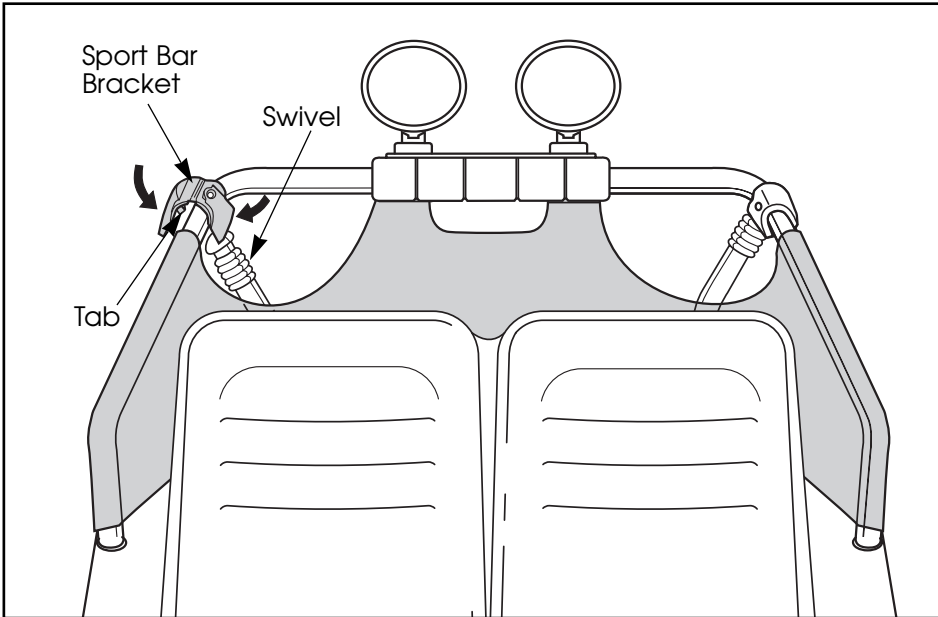
- Fit the sport bar into the holes in the vehicle body, as shown.

30

- Insert a sport bar support with swivel (assembled in step 28) through the tunnel in the rear corner of the canopy and into the hole in the vehicle body, as shown.
- Repeat this procedure to attach the other sport bar support and the canopy to the vehicle body.



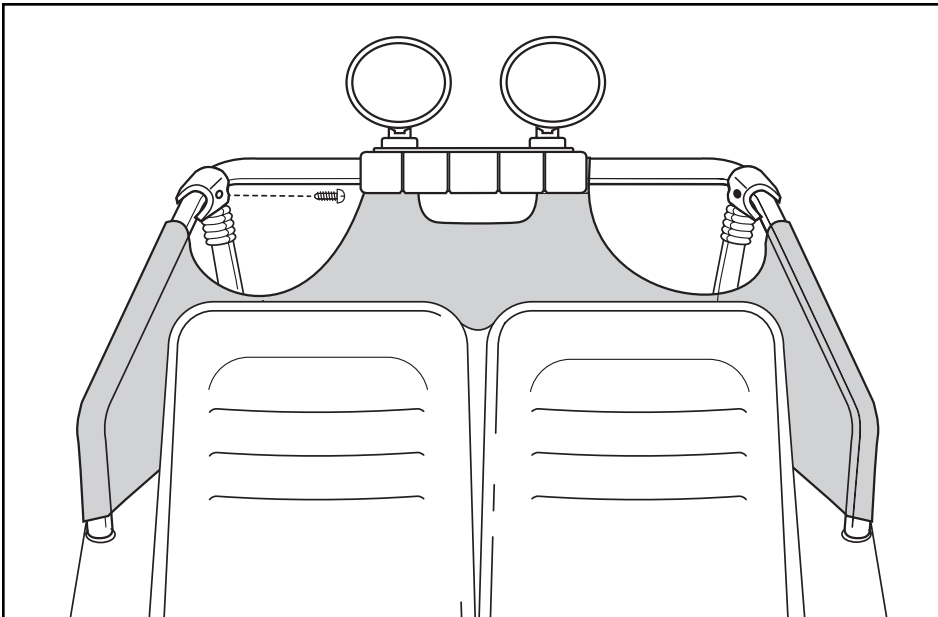
Assembly



31

- Position a sport bar bracket above the swivel on one of the sport bar support tubes as shown.
- Insert the tab on the inside of the sport bar bracket into the hole in the sport bar.
- Fit the ball on the end of the swivel against the end of the sport bar bracket.
- Fold the sport bar bracket over the sport bar to close it around the sport bar and swivel ball.

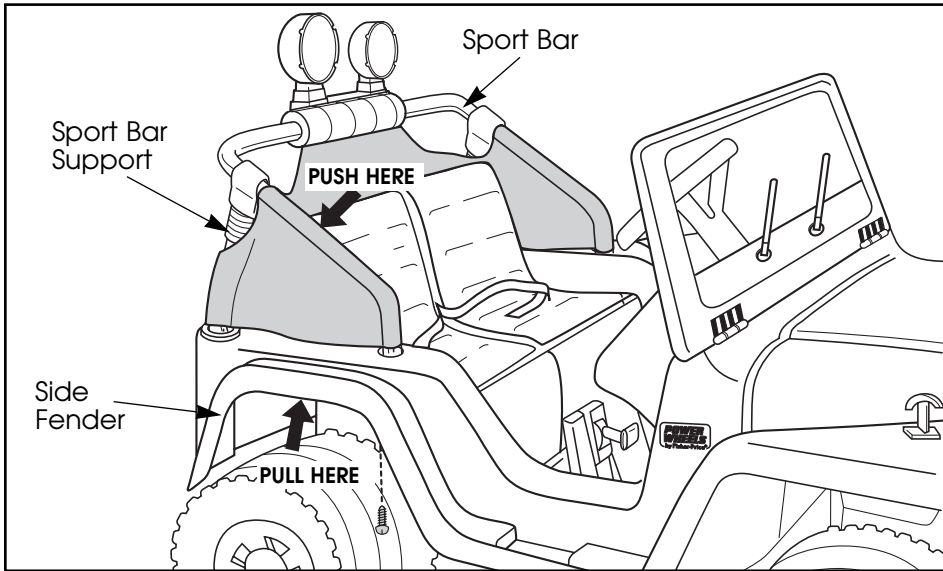
32



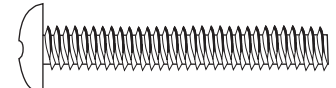
#6 x 1 1/2" Screw – 2
Shown Actual Size

- Insert a #6 x 1 1/2" screw into the sport bar bracket as shown.
- Tighten the screw with a Phillips screwdriver. Do not over-tighten.
- Repeat step 31 on the other side of the sport bar to attach the other sport bar support tube.

Assembly

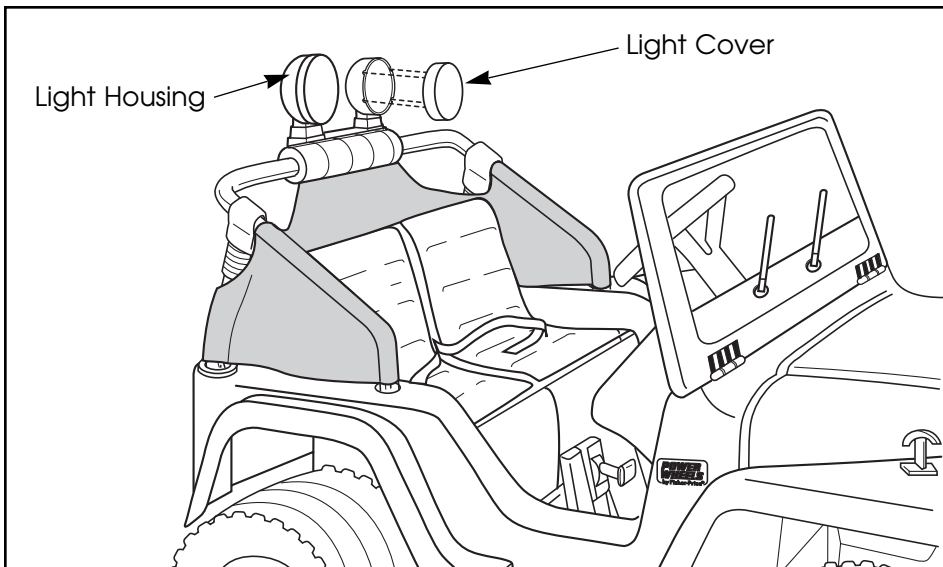


33



$\frac{1}{4}$ " x $1\frac{1}{2}$ " Screw - 2
Shown Actual Size

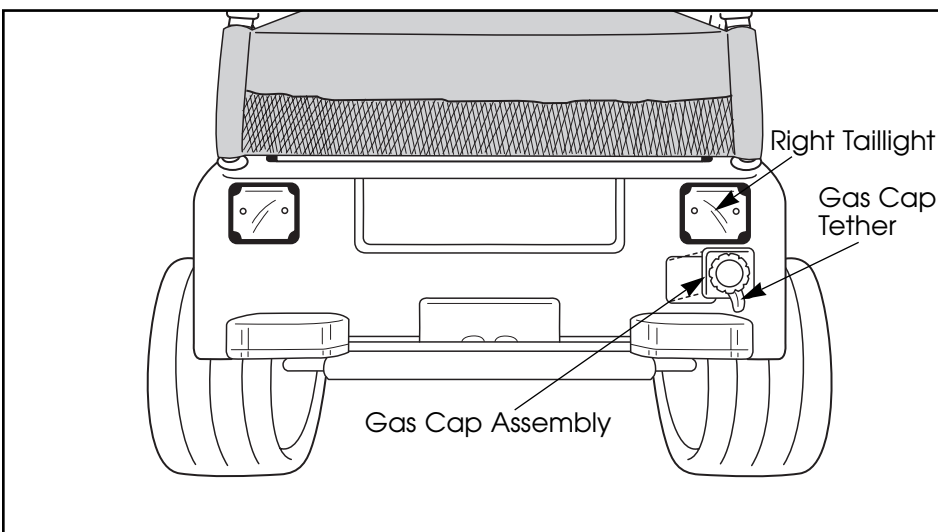
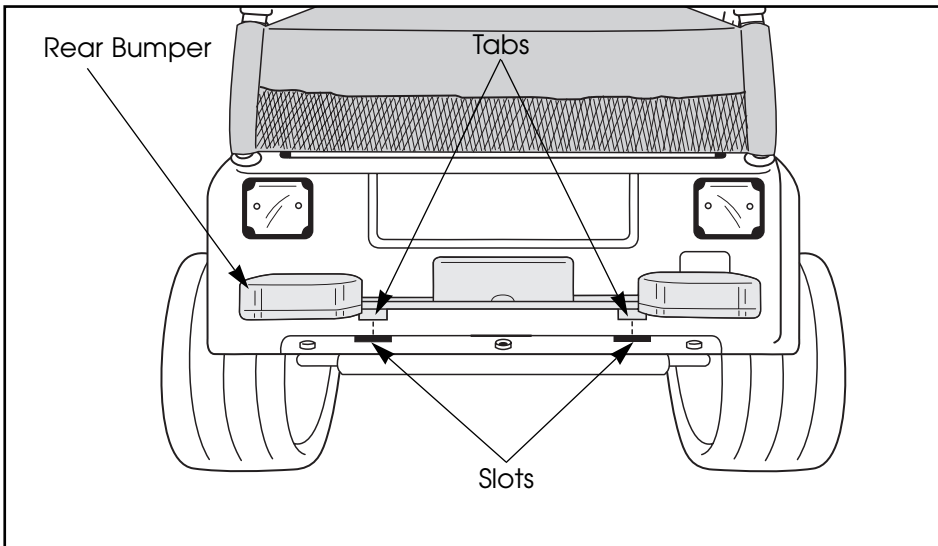
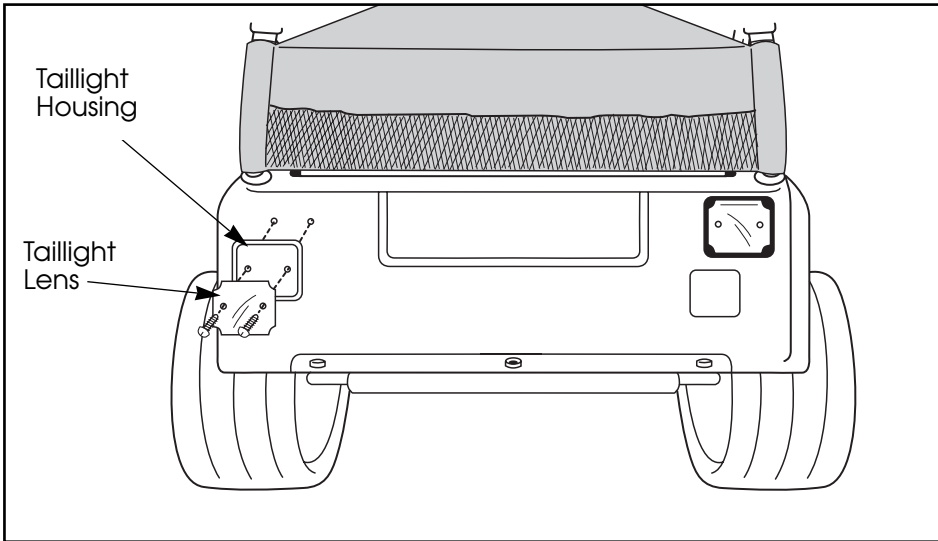
- Push down firmly on one side of the sport bar while pulling up on the vehicle body side fender to fit the sport bar completely into the vehicle body.
- Repeat this procedure on the other side of the sport bar.
- Insert a $\frac{1}{4}$ " x $1\frac{1}{2}$ " machine screw into the hole closest to the front of the vehicle in the underside of the rear wheel well, through the vehicle body and into the end of the sport bar.
- Tighten the screw with a Phillips screwdriver. Do not over-tighten.
- Repeat this procedure on the other side of the vehicle.



34

- Align the four tabs on the inside of a light cover with the four slots in one of the light housings on the back half of the light rack.
- Push firmly on the light cover to snap it to the light housing.
- Repeat this procedure on the other side of the light rack to assemble the other light.

Assembly



35



#8 x 1" Screw – 4
Shown Actual Size

- Using safety scissors, remove the taillight lenses and the taillight housings from the plastic connectors. Dispose of the plastic connectors.
- Face the rear of the vehicle.
- Fit a taillight lens inside a taillight housing.
- Position the taillight housing with lens against the vehicle body with the screw holes aligned, as shown.
- Insert two #8 x 1" screws through the taillight lens and housing and into the vehicle body as shown.
- Tighten the screws with a Phillips screwdriver. Do not over-tighten.
- Repeat this procedure to attach the other taillight.

36

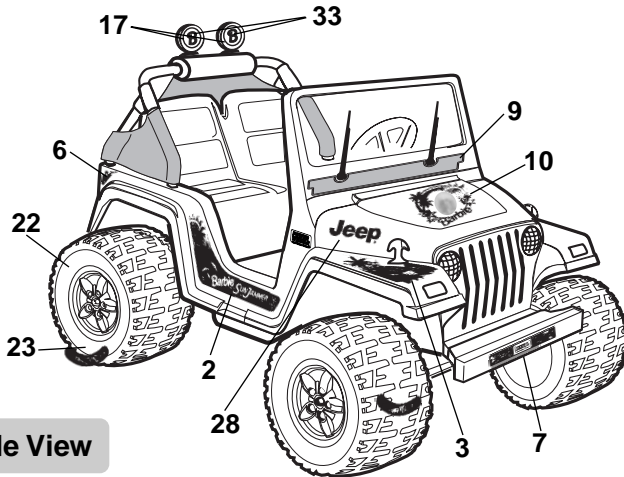
- Fit the tabs on the rear bumper into the slots in the vehicle body.
- Push down on the rear bumper to fit the holes in the rear bumper onto the pegs on the vehicle body.

37

- Position the gas cap assembly so that its tether points down.
- Snap the gas cap assembly into the opening under the right taillight.

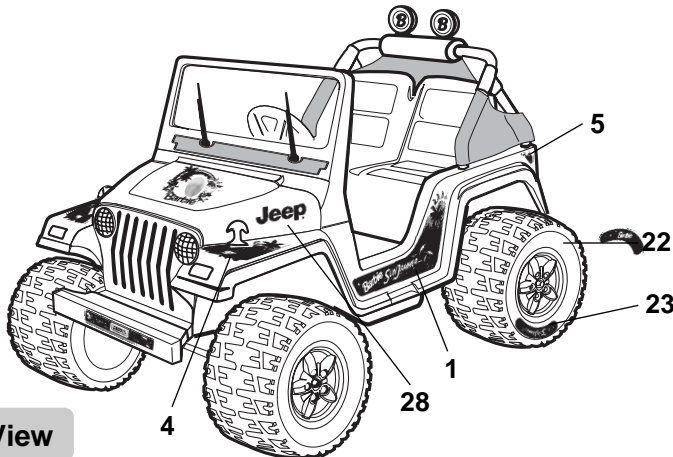
Assembly

1



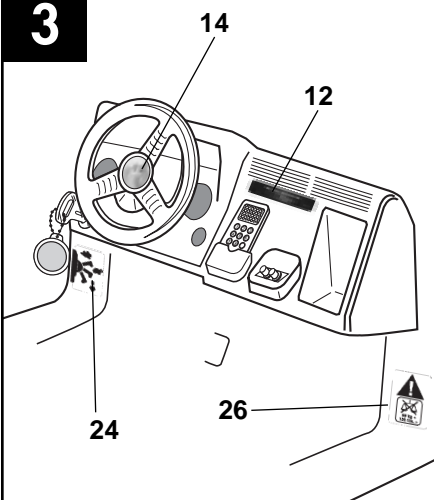
Right Side View

2



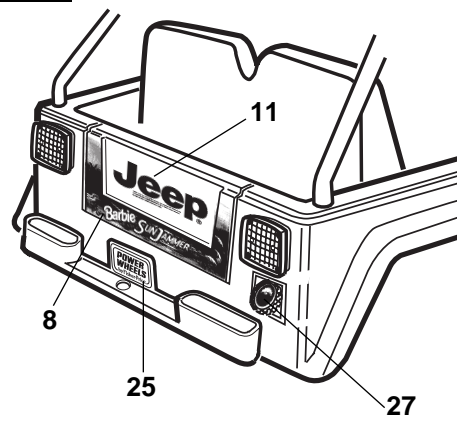
Left Side View

3



Interior View

4



Back View

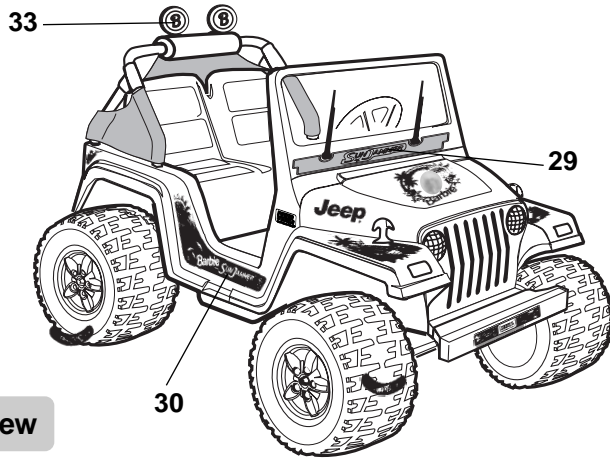
38

Proper label application will help to keep the labels looking their best! Follow these helpful guidelines when applying labels to your vehicle.

- Wash your hands before applying the labels.
- Make sure the areas where the labels will be applied are clean and dry. Wipe your vehicle with a clean, soft, **dry** cloth to remove any dust or oils.
- For best results, avoid applying a label more than once.
- After applying a label, rub the label firmly with a cloth to make sure the label is adhered to your vehicle.

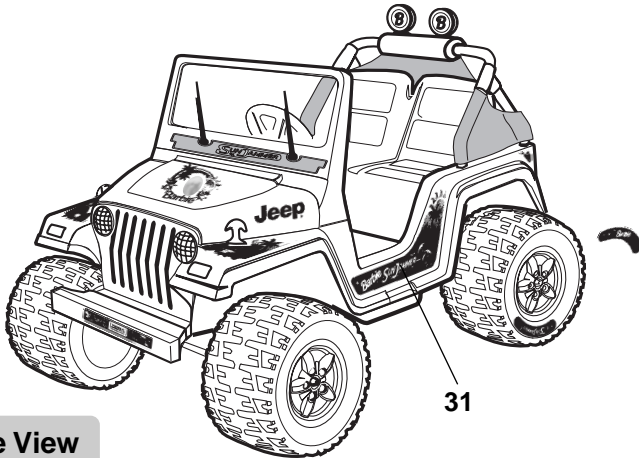
Assembly

5



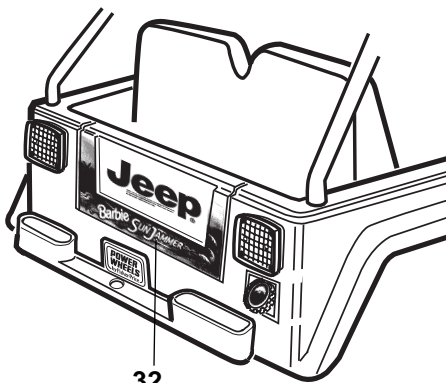
Right Side View

6



Left Side View

7



Back View

- Apply labels to your vehicle as shown in illustrations 1, 2, 3 and 4.
- After applying the labels as shown in illustrations 1, 2, 3 and 4, apply labels as shown in illustrations 5, 6 and 7 to add sparkle to your vehicle.

One-time assembly is now complete.

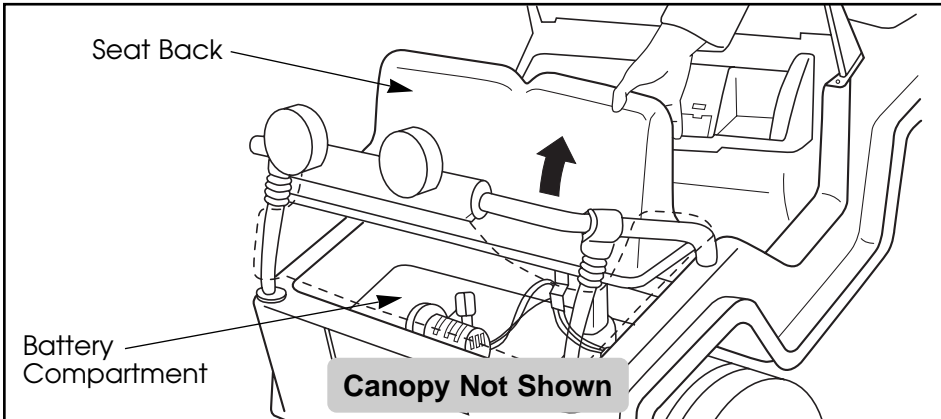
IMPORTANT NOTES:

- Please carefully read the owner's information in this manual and teach your child about proper vehicle operation and rules for safe driving before allowing operation of this vehicle.
- For safety reasons, your vehicle has been pre-assembled so that it will only operate at low speed. Make sure that your child can safely operate this vehicle at low speed before adjusting the vehicle to run at high speed.
To disconnect high speed lock-out, please see page 36.

G

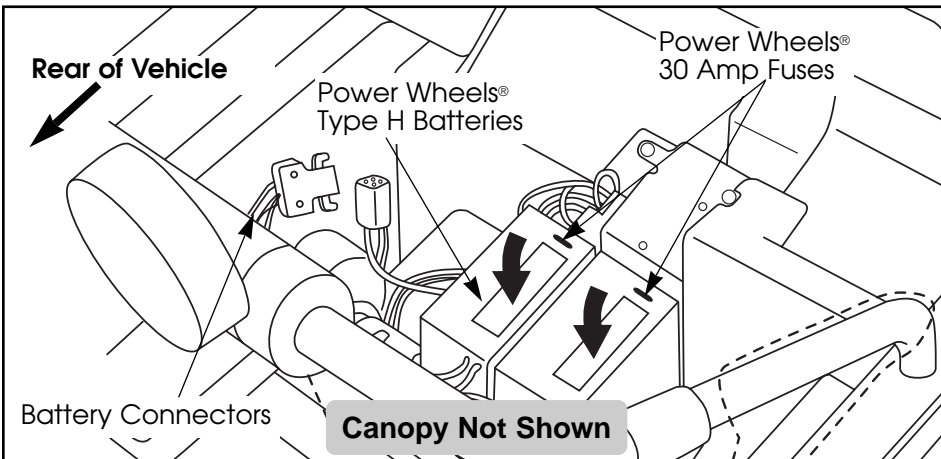
6 Volt Battery Installation

Important Note: Use only Power Wheels® Type H (9.5 Amp/hr.) batteries with Power Wheels® 30 amp fuses installed. Use of any other 6 volt batteries or fuses may damage your vehicle. Make sure that you charge the 6 volt batteries for at least 18 hours before operating your vehicle for the first time. After first-time use, charge the 6 volt batteries for at least 14 hours after each use. Never charge the 6 volt batteries longer than 30 hours. Failure to follow these instructions may damage your 6 volt batteries and will void your warranty.



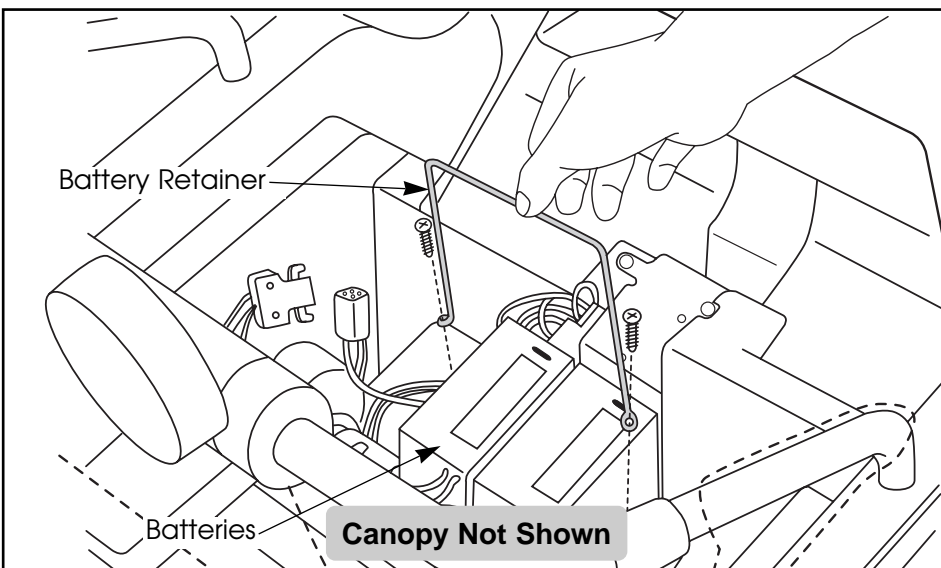
1

- Lift the seat back to access the battery compartment.



2

- Place both Power Wheels® 6 volt batteries upright in the battery compartment directly on top of the molded-in battery information. **Make sure the battery connectors extend toward the rear of the vehicle.**
- Make sure a Power Wheels® 30 amp fuse in good condition is installed in each of the 6 volt batteries and that the battery connectors are snapped together.



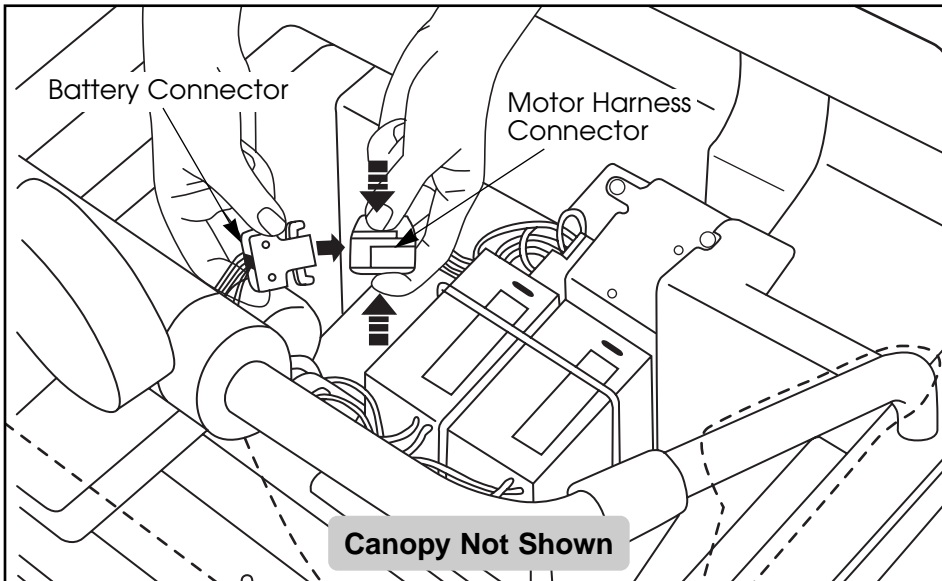
3



#8 x $\frac{3}{4}$ " Screw – 2
Shown Actual Size

- Position the battery retainer over the batteries with the ends of the battery retainer aligned with the screw holes in the bottom of the battery compartment.
- Insert two #8 x $\frac{3}{4}$ " screws through the battery retainer and into the battery compartment.
- Tighten the screws with a Phillips screwdriver. Do not over-tighten.

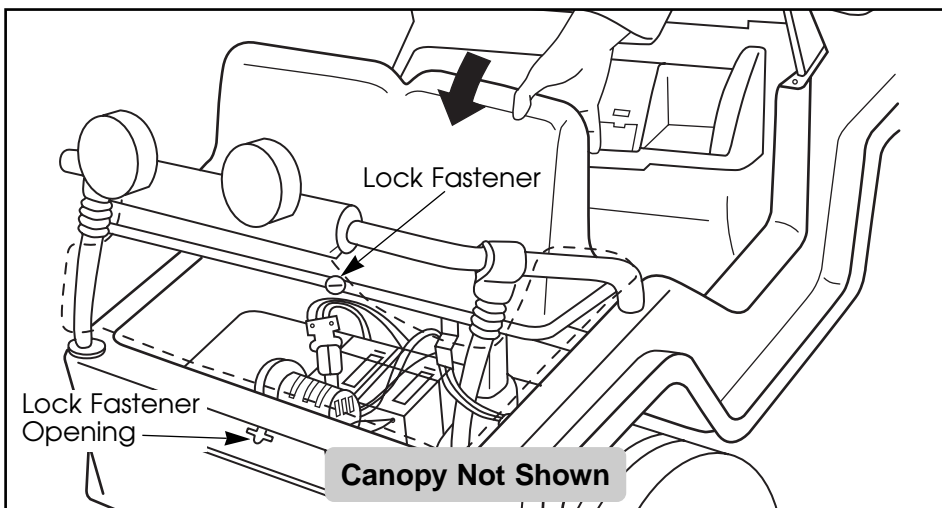
6 Volt Battery Installation



4

- Squeeze the tabs on each side of the motor harness connector.
- Plug the battery connector into the motor harness connector.

Note: If the battery connector will not plug into the motor harness connector, turn it over and try again! Do not force the battery connector into the motor harness connector.

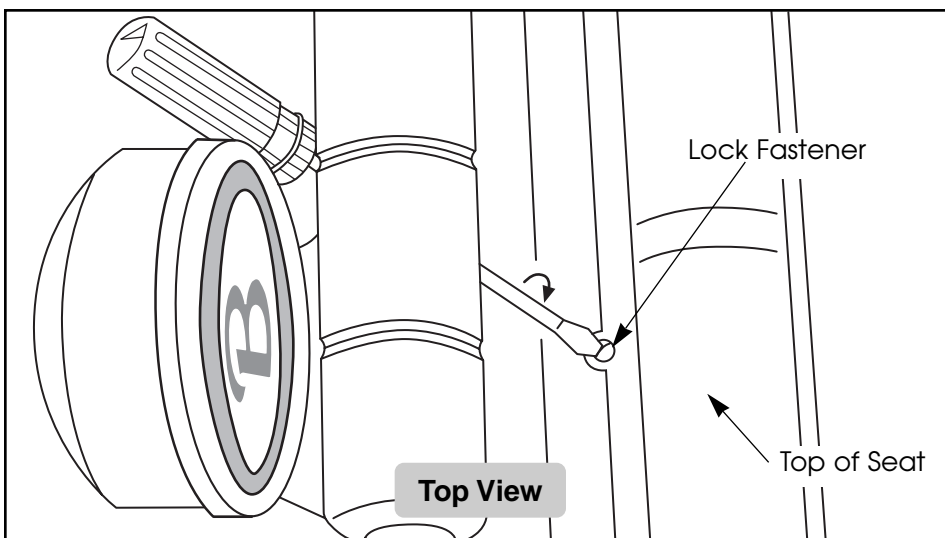


5

- Lower the seat back. Make sure the tabs on the front of the seat are inserted into the slots in the vehicle body.

Note: Make sure that the tabs on the lock fastener are aligned with the notches in the lock fastener opening.

- Push down firmly on the seat back to snap the seat into the vehicle body.



6

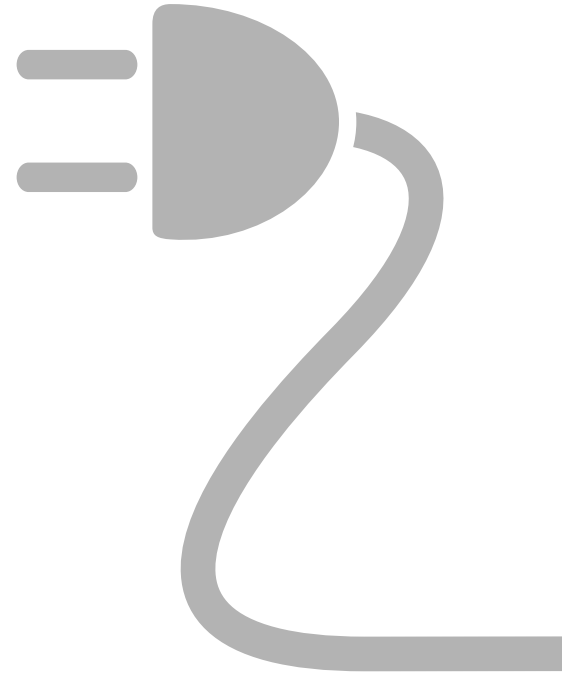
- Rotate the lock fastener $\frac{1}{4}$ turn using a slotted screwdriver to lock the battery compartment.
- Lift the seat back to make sure the lock fastener is in the locked position. Keep the lock fastener in the locked position at all times to prevent children from accessing the batteries.

H

Charging the 6 Volt Batteries

WARNING

- Batteries must be handled by adults only.
- Never allow children to charge the 6 volt batteries. Battery charging must be done by adults only. A child could be injured by the electricity involved in charging batteries.
- Use of the wrong type of battery, fuse or charger could cause a fire or explosion, resulting in serious injury.
- Never permit a child to handle batteries. The 6 volt batteries are heavy and contain sulfuric acid (electrolyte), and if dropped could result in serious injury. Read the cautions on the back panel of the 6 volt battery.
- Never lift or carry the 6 volt batteries by the wires or connectors. This can damage the 6 volt batteries and possibly cause a fire. Lift and carry the 6 volt batteries by the cases only.
- Examine the 6 volt batteries, charger and their connectors for excessive wear or damage each time you charge the 6 volt batteries. If damage or excessive wear is detected, do not use the vehicle until you have replaced the worn or damaged parts, as it could possibly cause a fire resulting in injury.
- Never alter this vehicle or its electrical system in any way. Alterations could cause a fire resulting in injury and could also ruin the electrical system.

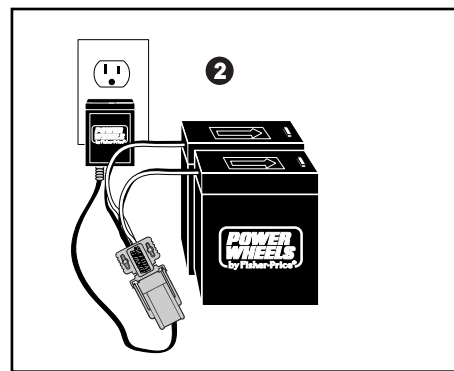
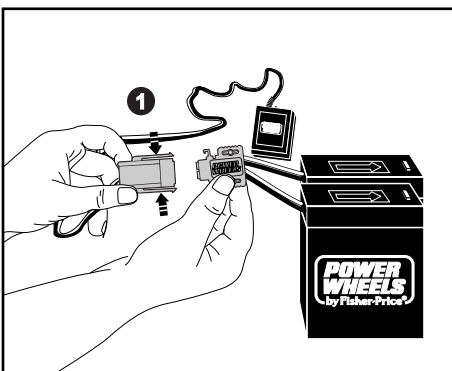
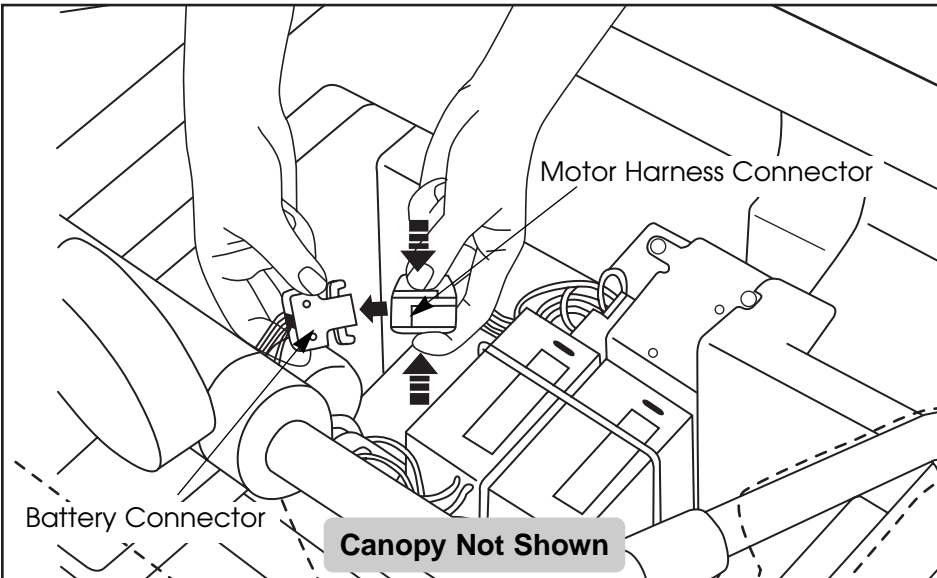
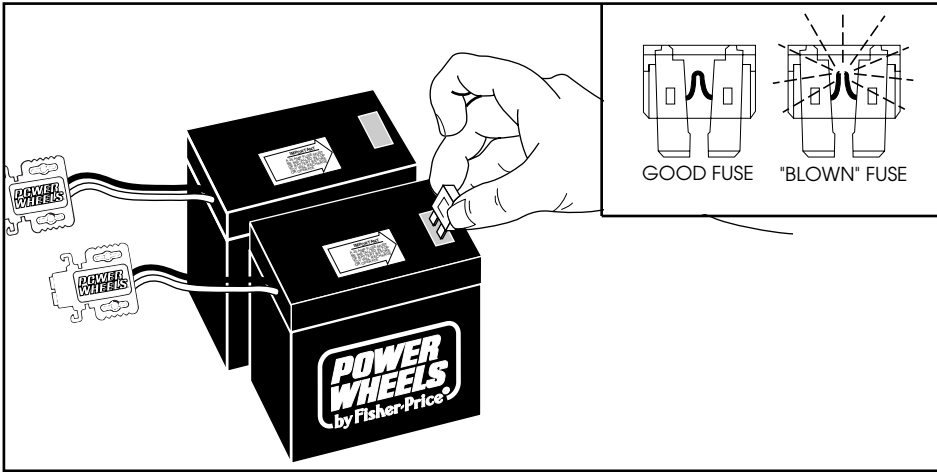


CAUTION

- Carefully read the Battery Care instructions to obtain the best battery life. Failure to follow the Battery Care instructions may permanently damage your 6 volt batteries and will void your warranty.
- Use the charger indoors only.

Charging the 6 Volt Batteries

Important Note: The 6 volt batteries must be upright while charging. You do not have to remove the 6 volt batteries from the vehicle to charge them.



1

- Rotate the lock fastener on the seat back $\frac{1}{4}$ turn using a slotted screwdriver to unlock the battery compartment.
- Lift the seat to access the 6 volt batteries.
- Use pliers to remove the fuses from the 6 volt batteries.
- Look at each fuse to make sure it is not blown. If a fuse has blown, replace it with a new Power Wheels® 30 amp fuse.
- Re-insert the fuses into the 6 volt batteries before charging. The 6 volt batteries will not charge if a 30 amp fuse in good condition is not inserted into each 6 volt battery.

2

- Squeeze the tabs on the motor harness connector to unplug it from the battery connector.

3

- Squeeze the tabs on the charger connector to plug it into the battery connector ①.
- Plug the charger into a standard 120 volt wall outlet ②.

Note: If power to the outlet is controlled by a wall switch, make sure the switch is "ON".

- Charge the 6 volt batteries a minimum of 14 hours after each use. Never charge the 6 volt batteries longer than 30 hours. Overcharging or undercharging the 6 volt batteries may shorten battery life and decrease vehicle running time.
- Once the 6 volt batteries are charged, reconnect the battery connector and motor harness connector and lower the seat back.

Note: Remember to lock the lock fastener to prevent children from accessing the 6 volt batteries.

Battery Handling/Care/Disposal



WARNING

- Batteries must be handled by adults only.
- Never permit a child to handle batteries. The 6 volt batteries are heavy and contain sulfuric acid (electrolyte), and if dropped, could result in a serious injury. Read the cautions on the back panel of the 6 volt battery.
- Never lift or carry the 6 volt batteries by the wires or connectors. This can damage the 6 volt batteries and possibly cause a fire. Lift and carry the 6 volt batteries by the case only.



CAUTION

- Carefully read the Battery Care instructions to obtain the best battery life. Failure to follow the Battery Care instructions may damage your 6 volt batteries and will void your warranty.

Handling

If a battery leak develops:

- Avoid contact with the leaking acid.
- Place the damaged battery in a plastic bag. See information below for proper disposal.

If acid comes in contact with skin or eyes:

- Flush with cool water for at least 15 minutes.
- Call a physician.

If acid is internally ingested:

- Give water, milk of magnesia or egg whites immediately.
- Never give emetics or induce vomiting.
- Call a physician.

Disposal

- Sealed lead-acid batteries must be collected, recycled or disposed of in an environmentally sound manner.
- Do not dispose of lead-acid batteries in your regular, household trash. The incineration, landfilling or mixing of sealed lead-acid batteries with household trash is prohibited by law in most areas.
- Return the batteries to a federal or state approved lead-acid battery recycler, such as a Power Wheels® Authorized Service Center or a local seller of automotive batteries. In Minnesota, call 1-800-348-0751 if further disposal information is required. Contact your local waste management officials for other information regarding the environmentally sound collection, recycling and disposal of lead-acid batteries.

Care

- Charge new 6 volt batteries for at least 18 hours before first use. Never charge the 6 volt batteries longer than 30 hours. Overcharging or undercharging the 6 volt batteries may shorten battery life and decrease vehicle running time.
- After the first charge, charge the 6 volt batteries for at least 14 hours after each use. Never charge the 6 volt batteries longer than 30 hours.
- Charge the 6 volt batteries after each use, regardless of how long the vehicle was used.
- The 6 volt batteries must be upright while charging.
- Do not allow the 6 volt batteries to run down completely before charging.
- Charge the 6 volt batteries before storing the vehicle.
- Charge the 6 volt batteries at least once per month, even if the vehicle has not been used.
- Leaving the 6 volt batteries in a discharged condition will ruin them.
- Do not store 6 volt batteries in temperatures above 75° F or below -10° F.
- Prevent the 6 volt batteries from moving freely inside the battery compartment. Always use the battery retainer to secure the 6 volt batteries in the battery compartment.
- Examine the 6 volt batteries, charger and their connectors for excessive wear or damage each time you charge the 6 volt batteries. If damage is detected, do not use the charger or the 6 volt batteries until you have replaced the worn or damaged part.
- Attempting to charge the 6 volt batteries without fuses or with blown fuses will not damage the 6 volt batteries, but they will not charge. Check the fuses to make sure they are in good condition each time you charge the 6 volt batteries.

J

Rules for Safe Driving



WARNING

- Adult supervision is required. Children do not have the judgement necessary to avoid many accidents. Be sure that children operating this vehicle can do so safely and that they are supervised at all times.
- Never use near steps, driveways, steep inclines, roadways, alleys, swimming pool areas or other bodies of water.
- Always wear shoes or sneakers when operating or riding in this vehicle.
- Never allow more than two riders; one driver and one passenger.
- Riders should sit on the seat when the vehicle is in operation.
- Improper use of this vehicle could lead to a serious or fatal accident. Allow children to play with this vehicle only when you have determined that they can do so safely. Follow all instructions to help your child enjoy this vehicle as safely as possible.



CAUTION

- To avoid damaging motors and gears, do not overload the vehicle.
 - Never allow more than two children in the vehicle at one time; one driver and one passenger.
 - Do not exceed the maximum weight capacity of 130 lbs.
 - Do not tow anything behind this vehicle. The extra weight may overload the vehicle.
- Avoid operating the vehicle in wet or snowy conditions, and do not spray the vehicle with a hose. Do not wash the vehicle with soap and water. Water or moisture in the motors or electrical switches can cause them to corrode, and could cause switch failure.
- Avoid operating the vehicle on sand, loose dirt or gravel. Sand, loose dirt and gravel in the electrical switches or motors can cause them to jam, and could cause switch failure. Use this vehicle on grass, asphalt or other hard surfaces.

Teach Safety Rules to Children

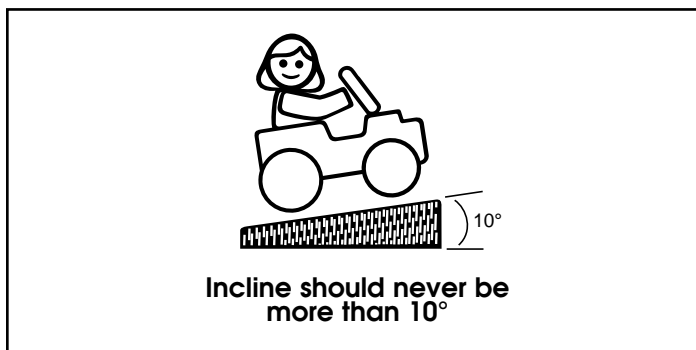
While children can quickly develop the skill necessary to drive this vehicle, it is important to remember that their judgment skills are still very immature. Unsupervised driving by children can lead to serious injury. Before children use the vehicle, an adult should carefully evaluate the driving area as well as the children's skill level and ability to drive this vehicle safely. Children are not always able to recognize or anticipate hazards, even when they have been taught about them. There is no acceptable substitute for adult supervision.

Teach appropriate safety rules to your child before you allow operation of this vehicle. These rules should also be reviewed with neighborhood children or other playmates who want to drive or ride in this vehicle.

1. Do not allow any child to drive the vehicle in the street or near moving (motorized) vehicles.
2. Do not allow any child to drive near bodies of water (such as pools or creeks), obstructions (such as furniture, low tree limbs or play equipment), or drop-offs (such as stairs or decks).
3. Do not allow any child to drive the vehicle in the dark. A child could encounter unexpected obstacles and have an accident. Operate the vehicle only in the daytime or in a well-lit area.
4. Teach your child to avoid driving on steep inclines or slopes. Restrict your child's driving to areas that are fairly level with gentle inclines or slopes of no more than 10°.
 - While driving down a steep slope, the vehicle may gain unsafe speed, even if the foot pedal is released to stop.

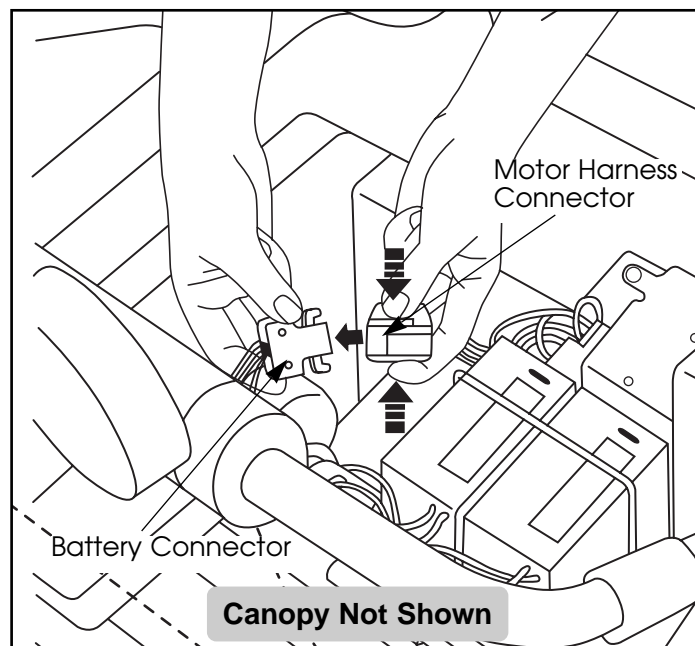
Rules for Safe Driving

- While driving across a steep slope, the vehicle may tilt and tip over. The wheels could lose traction, causing the vehicle to slip.
- While driving up a steep incline, the motor may stop and the vehicle could roll backwards at an unsafe speed.



5. Operate this vehicle with no more than two riders; one driver and one passenger in the seating area. Children who are not sitting on the seat or who are standing on the vehicle could fall off, cause a tip-over or block the driver's view. A child could be seriously injured.
6. Always wear shoes or sneakers when operating or riding in this vehicle.
7. Never put anything near any moving parts. Rotating parts such as motors, gear boxes and wheels can snag fingers, hair, etc., causing serious injury. Do not allow operation of the vehicle when it is on its side or in an upside-down position.

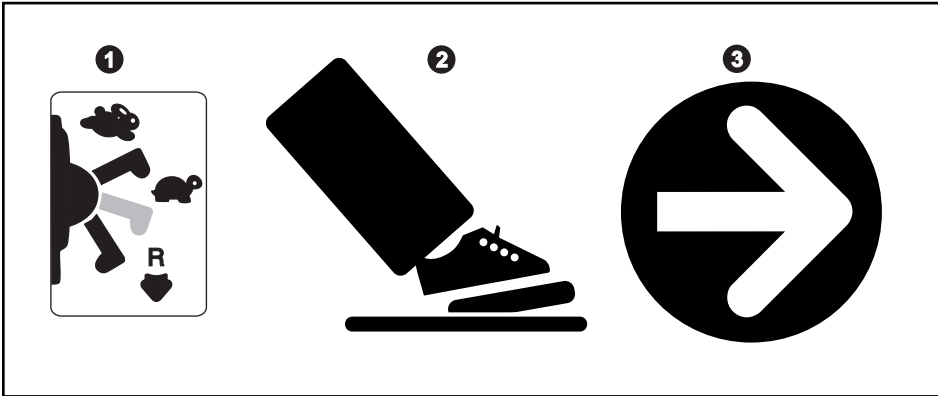
8. Do not operate the vehicle near flammable vapors (gasoline, paint thinner, acetone, liquid wax, etc.). The vehicle's electrical switches, like most electrical switches, emit an internal spark when first turned on and when turned off. The presence of flammable liquids or vapors could cause an explosion or a fire. Keep all flammable products in tightly sealed containers and away from the vehicle.
9. Do not allow a child to operate the vehicle without proper adult supervision. To prevent unsupervised use of the vehicle, disconnect the motor harness from the batteries.
 - Rotate the lock fastener $\frac{1}{4}$ turn with a slotted screwdriver to unlock the battery compartment.
 - Raise the seat to access the batteries.
 - Squeeze the tabs on the motor harness connector to unplug the battery connector from the motor harness connector.
 - Lower the seat and rotate the lock fastener $\frac{1}{4}$ turn with a slotted screwdriver to lock the battery compartment.




K

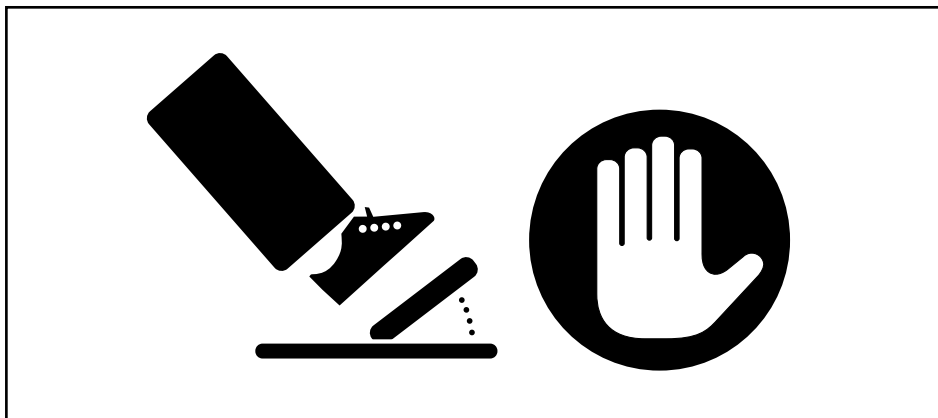
How to Operate your Vehicle

To help your child develop the skill necessary to drive this vehicle safely, your Power Wheels® vehicle has been pre-assembled so that it will only operate in low speed (2½ mph, maximum). After your child has mastered the basic skills of driving and understands the rules for safe driving, it's time to disconnect the high-speed lock-out to allow the vehicle to operate at low (2½ mph, maximum) or high speed (5 mph, maximum). **See the instructions below to disconnect the high-speed lock-out.**



Beginner Drivers: Low Speed Forward To Drive

- Make sure the shifter is in the LOW () position ①.
- Press down on the foot pedal ②. The vehicle goes forward at a maximum of 2½ mph ③.
- Help your child practice steering to learn how far and how quickly to turn the steering wheel when driving forward in low speed.



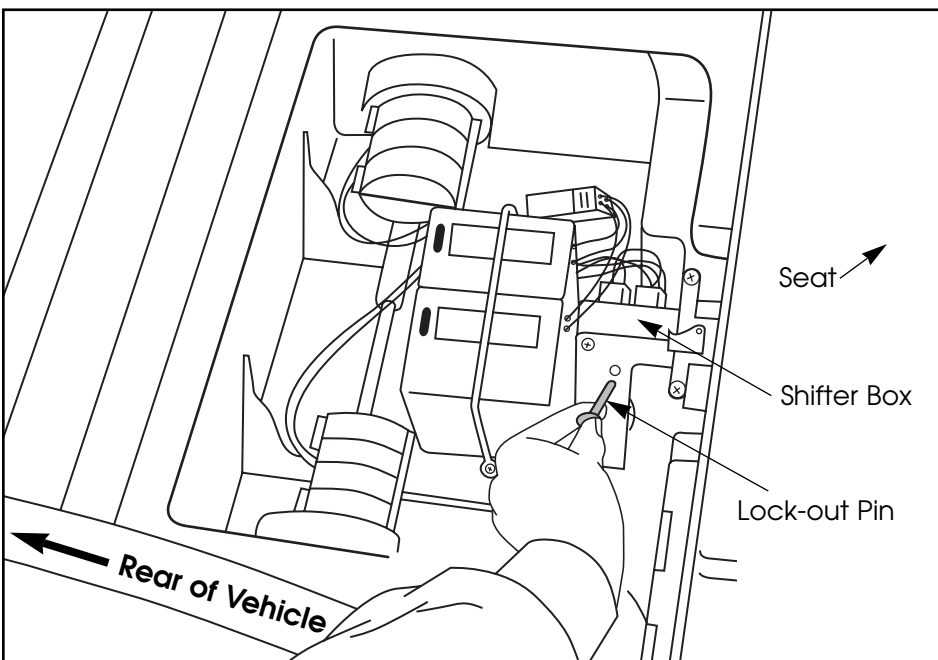
To Stop

- You vehicle has a patented, electronic braking system that automatically stops the vehicle when your child's foot is lifted from the pedal.
- Have your child practice to become familiar with low speed forward and automatically know how to stop.

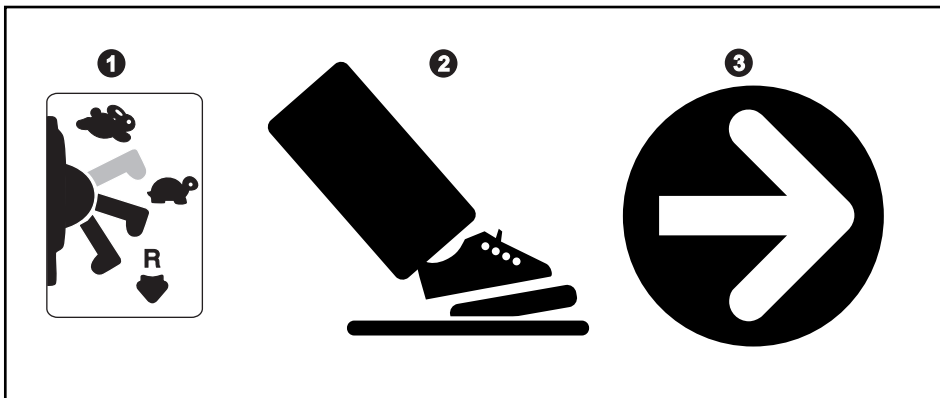
Experienced Drivers: High Speed Forward

To disconnect the High-Speed Lock-Out

- Before you disconnect the high speed lock-out, make sure your child:
 - Knows how to start and stop the vehicle easily in low speed.
 - Knows how to steer.
 - Knows the safety rules well.
- Rotate the lock fastener ¼ turn with a slotted screwdriver to unlock the battery compartment.
- Raise the seat to access the lock-out pin.
- Pull the lock-out pin out of the shifter box.
- Re-install the seat. Remember to lock the lock fastener to prevent children from accessing the 6 volt batteries.
- You can re-insert the lock-out pin into the shifter box if you want to lock out high speed and allow operation of the vehicle in low speed only.




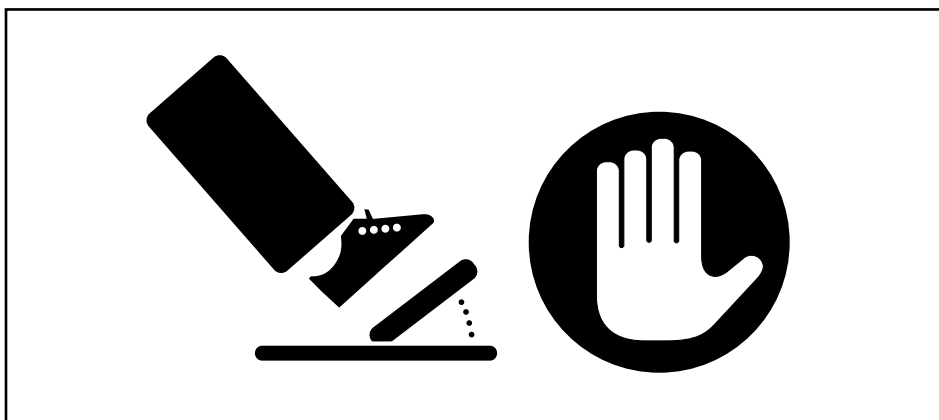
How to Operate your Vehicle



To Drive:

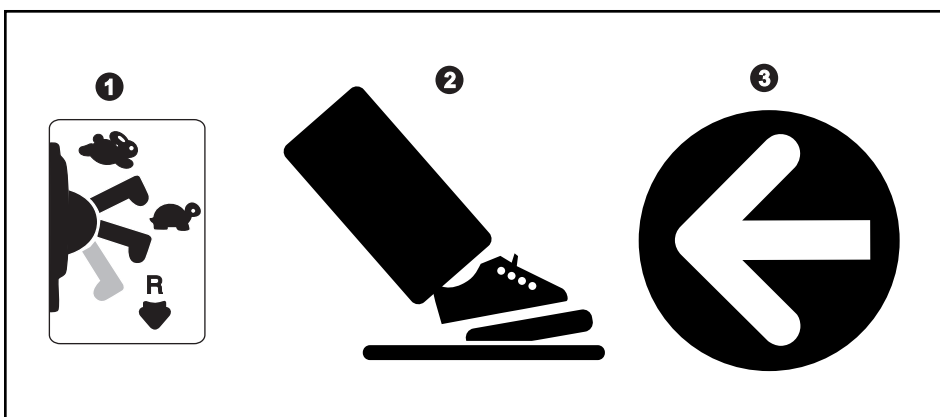
Note: To prevent damage to the motors, stop the vehicle before shifting speeds.

- Make sure the shifter is in the HIGH () position ①.
- Press down on the foot pedal ②. The vehicle goes forward at a maximum of 5 mph ③.
- Help your child practice steering to learn how far and how quickly to turn the steering wheel when driving forward in high speed.






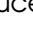
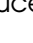
To Stop:

- Stopping in high speed is the same as stopping in low speed. The vehicle automatically stops when your child's foot is lifted from the pedal.

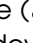


Reverse

Note: To prevent damage to the motors, stop the vehicle before shifting from forward (LOW  or HIGH ) to reverse.

- Once your child is completely comfortable with operating the vehicle in the forward mode (LOW  or HIGH  speed), introduce reverse ().

To Back Up

- Make sure the shifter is in the reverse () position ①.
- Press down on the foot pedal ②. The vehicle will go in reverse at a maximum of 2½ mph ③.
- Help your child practice steering to learn how far and how quickly to turn the steering wheel when backing up.

L

Frequently Asked Questions

Q. How often do I need to charge the 6 volt batteries?

A. Charge the 6 volt batteries for a minimum of 14 hours after each use of the vehicle or whenever the vehicle begins to slow down. When the vehicle is not in regular use, charge the 6 volt batteries at least once a month until normal use is resumed.

Q. How much riding time should I get after charging the 6 volt batteries?

A. You should get from one to three hours of riding time per charge. The riding time is affected by:

- the driving surface,
- passenger weight,
- the charge of the 6 volt batteries,
- whether the vehicle is used intermittently or continuously,
- condition of the electrical switches and connectors,
- whether the vehicle is used in low or high speed,
- the temperature.

Q. What is the life expectancy of the 6 volt batteries?

A. The life of the batteries will vary depending on how well you follow the Charging and Battery Care instructions. It's also affected by the total number of hours the 6 volt batteries are used. Average battery life is one to three years.

Q. Do the fuses have to be inserted into the 6 volt batteries when I'm charging?

A. Yes! The 6 volt batteries must have good fuses installed when charging and during use. If the fuses are missing, blown or if you are using the wrong type of fuse, the 6 volt batteries will not charge.

Q. How can I tell if the fuses are blown?

A. Use pliers to remove the fuses from the 6 volt batteries and compare the fuses to the illustration on page 32.

Q. How can I tell if the charger is working?

A. There is no sure way to tell if your charger is working unless you have a volt meter. If you suspect there is a problem with your charger, contact your local Power Wheels® Authorized Service Center. They can test your charger for you.

Q. How and when should I store my vehicle?

A. During snowy or rainy weather, the vehicle should be stored inside or under a protective cover. Remember to charge the 6 volt batteries at least once per month while your vehicle is not in regular use.

Q. How should I care for my vehicle?

A. The vehicle can be wiped down with a soft, dry cloth. For a shiny finish, you can wipe plastic parts with a non-wax furniture polish applied to a soft-cloth. Do not use automotive wax. Do not use soap and water or spray the vehicle with a hose. Check all nuts, bolts, and their protective coverings regularly and tighten as required. Check plastic parts on a regular basis for cracks or broken pieces.

To ensure that your vehicle stays in good operating order, we recommend that you periodically have your vehicle checked by a Power Wheels® Authorized Service Center. See page 43 for the list of Authorized Service Centers or call 1-800-348-0751 for the location of the Authorized Service Center nearest you.

Q. If I have a problem that I can't solve myself, what should I do?

A. Power Wheels® has over 300 Authorized Service Center locations. They can repair vehicles under warranty, or out of warranty, or sell you the proper parts for you to do the repair work. These service centers have factory-trained personnel, and use only genuine Power Wheels® replacement parts. If there is not an Authorized Service Center in your area, please call Power Wheels® Consumer Affairs toll-free at: **1-800-348-0751**.

M

Problems and Solutions Guide

IMPORTANT! If you experience a problem with your vehicle, first check the Problems and Solutions Guide below. If you still experience a problem, please contact Power Wheels® Consumer Affairs, toll-free at **1-800-348-0751** between 8 AM and 6 PM (EST) Monday through Friday. Or, contact your local Power Wheels® Authorized Service Center. For the location nearest you, please refer to the Authorized Service Center list beginning on page 43.

Problem	Possible Cause	Solution
Vehicle does not run	Undercharged 6 volt batteries	Charge the 6 volt batteries. New 6 volt batteries should have been charged for at least 18 hours before using the vehicle for the first time. After first-time use, recharge 6 volt batteries for at least 14 hours after each use. Never charge the 6 volt batteries longer than 30 hours.
		Check all connectors. Make sure the battery connector is tightly plugged into the charger connector, and that the charger is plugged into the wall.
		Make sure power flow to the wall outlet is "ON".
	Wrong type or improperly installed fuse	Make sure that each 6 volt battery has a properly installed Power Wheels® 30 amp fuse before charging. For best performance, do not use substitute parts.
	Blown fuses	Make sure that the fuses in the 6 volt batteries are in good condition. Replace blown fuses with Power Wheels® 30 amp fuses. For best performance, do not use substitute parts.
	Loose wire or loose connectors	Check all wires and connectors. Make sure the battery connector is tightly plugged into the motor harness connector, and that there are no loose wires around the motors.
	Dead 6 volt batteries	If your 6 volt batteries are old or if you have not followed Battery Care instructions, your 6 volt batteries may be dead. If you are unsure whether or not the 6 volt batteries are dead, you can have them tested at your local Power Wheels® Authorized Service Center.
		If one or both 6 volt batteries are dead, replace BOTH 6 volt batteries with new Power Wheels® Type H 6 volt batteries. (Use of a new 6 volt battery with an older 6 volt battery may cause permanent damage to both 6 volt batteries.) For best performance, do not use substitute parts.
	Electrical switch damage	The electrical switches can become corroded due to exposure to water or moisture, or can jam due to loose dirt, sand or gravel. Contact your local Power Wheels® Authorized Service Center for diagnosis and repair.
	Motor damage	Contact you local Power Wheels® Authorized Service Center for diagnosis and repair.




Problems and Solutions Guide

Problem	Possible Cause	Solution
Vehicle was running but suddenly stopped	Loose wire or loose connectors	Check all wires and connectors. Make sure the battery connector is tightly plugged into the motor harness connector, and that there are no loose wires around the motors.
	Wrong type or improperly installed fuse	Make sure that each 6 volt battery has a properly installed Power Wheels® 30 amp fuse installed before charging. For best performance, do not use substitute parts.
	Blown fuses	Make sure that the fuses in the 6 volt batteries are in good condition. Replace blown fuses with Power Wheels® 30 amp fuses. For best performance, do not use substitute parts.
	Vehicle is overloaded	Make sure you do not overload the vehicle by allowing more than 2 riders at one time, by exceeding the 130 lbs. maximum weight capacity, or by towing objects behind the vehicle. If the vehicle is overloaded, it will automatically shut down. The vehicle will reset itself after approximately 20 seconds. Reduce the load on the vehicle to prevent additional automatic shut-downs.
	Driving conditions are too stressful	Use only on gentle inclines or slopes of 10° or less. Extreme temperatures can also affect run time. If the driving conditions are too stressful, the vehicle will automatically shut down. The vehicle will reset itself after approximately 20 seconds. Adjust the driving conditions to prevent additional automatic shut-downs.
Short run time (Less than 1 hour in high speed; less than 3 hours in low speed)	Undercharged 6 volt batteries	Charge the 6 volt batteries. New 6 volt batteries should have been charged for at least 18 hours before using the vehicle for the first time. After first-time use, recharge 6 volt batteries for at least 14 hours after each use. Never charge the 6 volt batteries longer than 30 hours.
		Check all wires and connectors. Make sure the battery connector is tightly plugged into the charger connector, and that the charger is plugged into the wall.
		Make sure power flow to the wall outlet is "ON".
	Overcharged 6 volt batteries	Do not charge the 6 volt batteries longer than 30 hours. If you suspect that your 6 volt batteries are damaged as a result of overcharging, contact your local Power Wheels® Authorized Service Center. They can test your 6 volt batteries for you.
	6 volt batteries are old and will not accept full charge	Even with proper care, rechargeable batteries do not last forever. Average 6 volt battery life is 1 to 3 years depending on vehicle use and use conditions. Always replace 6 volt batteries as a set; use of an older 6 volt battery with a new 6 volt battery may cause permanent damage to both 6 volt batteries. Replace BOTH 6 volt batteries with Power Wheels® Type H 6 volt batteries. For best performance, do not use substitute parts.
	Wrong type or improperly installed fuse	Make sure that each 6 volt battery has a properly installed Power Wheels® 30 amp fuse installed before charging. For best performance, do not use substitute parts.
	Driving conditions are too stressful	Use only on gentle inclines or slopes of 10° or less. Extreme temperatures can also affect run time. If the driving conditions are too stressful, the vehicle will automatically shut down. The vehicle will reset itself after approximately 20 seconds. Adjust the driving conditions to prevent additional automatic shut-downs.

Problems and Solutions Guide

Problem	Possible Cause	Solution
Vehicle runs sluggishly	Undercharged 6 volt batteries	Charge the 6 volt batteries. New 6 volt batteries should have been charged for at least 18 hours before using the vehicle for the first time. After first-time use, recharge 6 volt batteries for at least 14 hours after each use. Never charge the 6 volt batteries longer than 30 hours.
		Check all connectors. Make sure the battery connector is tightly plugged into the charger connector, and that the charger is plugged into the wall.
		Make sure power flow to the wall outlet is "ON".
	6 volt batteries need charging	After approximately 1 hour of constant use in high speed or 3 hours of constant use in low speed, the 6 volt batteries need charging.
	Wrong type or improperly installed fuse	Make sure that each battery has a properly installed Power Wheels® 30 amp fuse installed before charging. For best performance, do not use substitute parts.
	6 volt batteries are old and will not accept full charge	Even with proper care, rechargeable batteries do not last forever. Average battery life is 1 to 3 years depending on the vehicle use and use conditions. Always replace 6 volt batteries as a set; use of an older 6 volt battery with a new 6 volt battery may cause permanent damage to both 6 volt batteries. Replace BOTH 6 volt batteries with Power Wheels® Type H 6 volt batteries. For best performance, do not use substitute parts.
	Vehicle is overloaded	Make sure you do not overload the vehicle by allowing more than 2 riders at one time, exceeding the 130 lbs. maximum weight capacity, or by towing objects behind the vehicle. If the vehicle is overloaded, it will automatically shut down. The vehicle will reset itself after approximately 20 seconds. Reduce the load on the vehicle to prevent additional automatic shut-downs.
Driving conditions are too stressful	Use only on gentle inclines or slopes of 10° or less. Extreme temperatures can also affect run time. If the driving conditions are too stressful, the vehicle will automatically shut down. The vehicle will reset itself after approximately 20 seconds. Adjust the driving conditions to prevent additional automatic shut-downs.	
Vehicle runs in low speed, but does not run in high speed (Please Note: The vehicle is designed to operate in low speed only in reverse (REV).)	High speed lock-out not disconnected	The vehicle was pre-assembled to run only in low speed. To allow the vehicle to run in low and high speed, you must disconnect the High Speed Lock-Out. Follow the instructions on page 36 to disconnect the High Speed Lock-Out.
When the foot pedal is pressed, only one rear wheel turns	Operation of vehicle in low speed with both rear wheels off the ground	It is possible that only one rear wheel may spin when both rear wheels are raised off the ground and the vehicle is in low speed. This does not necessarily indicate a problem. Check for proper operation of the drive system by raising the rear wheels off the ground and pressing the foot pedal. If only one rear wheel spins, carefully press your hand on the spinning wheel to slow it down. The other rear wheel should begin to spin. If the other rear wheel does not begin to spin, there may be a problem with the vehicle. Contact your local Power Wheels® Authorized Service Center for diagnosis and repair.

Problems and Solutions Guide

Problem	Possible Cause	Solution
Sometimes the vehicle doesn't run, but other times it does	Loose wire or connector	Check all wires around the motors and all connectors to make sure they are tight.
	Motor or electrical switch damage	Contact your local Power Wheels® Authorized Service Center for diagnosis and repair.
When the foot pedal is pressed, the vehicle won't run without a push	Loose wire or connector	Check all wires around the motors and all connectors to make sure they are tight.
	"Dead Spot" on motor	Contact your local Power Wheels® Authorized Service Center for diagnosis and repair.
Vehicle constantly blows fuses	Wrong type of fuse used	This vehicle requires two Power Wheels® 30 amp fuses, one in each 6 volt battery. Make sure Power Wheels® 30 amp fuses are properly installed in the 6 volt batteries. For best performance, do not use substitute parts.
	Child is switching speeds or switching from forward (LOW  or HIGH ) to reverse () without stopping	Teach your child to stop the vehicle before switching speeds and before switching from forward to reverse.
		Replace blown fuses with Power Wheels® 30 amp fuses. For best performance, do not use substitute parts.
Loud clacking or grinding noise from a motor-gearbox	Broken gears	Contact your local Power Wheels® Authorized Service Center for diagnosis and repair.
Charger gets warm during use	It is normal for some chargers to get warm during use and is not reason for concern. Some chargers do not get warm during use.	No action required.
		If your charger does not get warm during use, it does not mean that it is not working properly.
6 volt batteries make a sizzling or gurgling noise when charging	It is normal for some 6 volt batteries to make noise and swell slightly while charging and is not reason for concern. Some 6 volt batteries do not make noise or swell while charging.	No action required.
		If your 6 volt batteries do not make noise or swell slightly during charging, it does not mean that they are not accepting the charge.

If, after reviewing the Problems and Solutions Guide, the vehicle still fails to operate, please contact your nearest Authorized Service Center (see page 43) or contact Power Wheels Consumer Affairs toll-free at **1-800-348-0751**.

Helpful Hint: For faster service when calling Consumer Affairs, completely charge the batteries before calling and have the following available by the phone:

- vehicle,
- vehicle model number (see sticker in battery compartment),
- vehicle production run number (see sticker in battery compartment),
- Phillips screwdriver, slotted screwdriver and needle-nose pliers with plastic or rubber handles,
- extra Power Wheels® 30 amp fuses are helpful.

N

Statement of Limited Warranty

90-day limited warranty for the Power Wheels® Ride-On Toy Vehicle

A 6-month battery warranty applying only to those 6 volt batteries which were included by Power Wheels®, with the Power Wheels® vehicle when originally purchased.

This limited warranty covers the Power Wheels® ride-on vehicle and the 6 volt batteries, purchased from Power Wheels® by the original purchaser, against defects in materials and workmanship.

This warranty covers normal use and does not cover the Power Wheels® vehicle or batteries if damaged by unreasonable use, neglect, accident, abuse, misuse, improper service or other causes not arising out of defects in materials or workmanship. Evidence of any attempt at consumer repair will void this warranty. This warranty does not cover, and is intended to exclude, any liability on the part of Power Wheels®, whether

under this warranty or implied by law or any indirect or consequential damages for breach of warranty. Some states do not allow the exclusion or limitation so this limitation may not apply to you.

Should you need service or assistance with your vehicle during the warranty period, DO NOT RETURN THE VEHICLE TO THE STORE. Power Wheels® has provided a nationwide network of Authorized Service Centers. Please refer to the list in this manual. Power Wheels® is continually expanding our Authorized Service Center network. If there is not an Authorized Service Center in your area, please call Consumer Affairs for information, 1-800-348-0751.

This warranty gives you specific legal rights, and you may also have other rights which may vary from state to state.

PLEASE SAVE YOUR ORIGINAL SALES RECEIPT.

O

Authorized Service Centers

We are continually expanding our Authorized Service Center Network. Please check this listing for the Authorized Service Center nearest you. If there is not one in your area, please call Power Wheels® Consumer Affairs at 1-800-348-0751.

ALABAMA

BIRMINGHAM - Frigid Service & Sales, 701 Graymont Ave. North, 35203, (205) 323-5831
BIRMINGHAM - Frigid Service & Sales, 1861 Centerpoint Rd., 35215, (205) 853-3952
BIRMINGHAM (HOMEWOOD) - D & R Appliance Company, 154 West Valley Ave., 35209, (205) 942-3959
CULLMAN - Robert G. Werner Company, 1115 4th Street S.W., 35055, (205) 734-5673
DECATUR - Peddler II, 1000 B Beltline Road, 35603, (205) 350-1044
DOTHAN - Bill's Appliance Service, 208 Bic Road, P.O. Box 1192, 36303, (334) 792-7746
DOUGLAS - Brown Hardware, Highway 75, 35964, (205) 593-6086
HUNTSVILLE - C & G Appliance, 307 Jordan Lane, 35805, (205) 837-4551
MOBILE - Foster's Appliance Repair, 1660 South Beltline Highway, 36693, (334) 666-2670
MONTGOMERY - Acme Service Co., 2603 Highland Ave., 36107, (205) 264-2456, (800) 285-2160
TUSCALOOSA (NORTHPORT) - Frigid Service & Sales, 2813 Lurleen B. Wallace Blvd., 35476, (205) 339-3624

ALASKA

ANCHORAGE - Ken's Electronics Service, 360 E. International, Ste. 8, 99518, (907) 562-3443

ARIZONA

GLENDALE - Elliott Electric Appliance Service, 6242 N. 43rd Avenue, 85301, (602) 937-2613
SCOTTSDALE - Elliott Electric, 7515 E. McDowell Road, 85257, (602) 946-7487

ARKANSAS

FT. SMITH - Bromley Appliance Service, 614 North 10th Street, 72901, (501) 782-9646
HOT SPRINGS, The Battery Center, 400 Airport Road, 71913, (501) 624-7144
JONESBORO - Best Sewing & Vacuum & Repair, 2235 S. Caraway Road, 72401, (501) 935-4739, (800) 844-4739
LITTLE ROCK - C & W Tool Repair, 1303 W. Markham, 72201, (501) 374-1911
MENA - Bearcat Starter & Alt., 801 Petros, 71953, (501) 394-0320
ROGERS - Kressel's Vacuum & Repair, 115 North 5th Street, 72756, (501) 636-7894
STUTTGART - Davis Lumber Company, 301 East Michigan, 72160, (501) 673-3601

CALIFORNIA

ANDERSON - Hardware Express/ Do It Best, 2681 Balls Ferry Road, 96007, (916) 365-3783
BAKERSFIELD - Southwest TV, 6300 White Lane, Suite B, 93309, (805) 397-4940
CONCORD - California Electric Service Center, 1170-G Burnett Avenue, 94520, (510) 827-1011
COVINA - California Electric Service Center, 612 Shoppers Lane, 91723, (818) 915-4935
DUBLIN - California Electric Service, 8947 San Ramon Road, 94568, (510) 551-3390
FONTANA - California Electric Service Center, 9794 Sierra Avenue, 92335, (909) 355-2500
FORT JONES - Ft. Jones Frontier Hardware, 11911 Main Street, 96032, (916) 468-2266

FRESNO - Valley Small Appliance, 4005 E. Ashlan Avenue, 93726, (209) 224-5530
FULLERTON - California Electric Service Center, 1208 E. Ash Avenue, 92631-5020, (714) 870-0900
LOS ALAMITOS - California Electric Service Center, 11284 Los Alamitos Blvd., 90720, (310) 430-2668
MERCED - Moosehead Electronics, 920 W. 18th Street, 95340, (209) 723-4712
MISSION VIEJO - California Electric Service Center, 23725 Via Fabricante, Unit B, 92691, (714) 586-9440
OAKLAND - California Electric Service Center, 1139 E. 12th Street, 94606, (510) 834-1050
OXNARD - Terry's Inc., The Clean-up Store, 1237 Saviers Road, 93033, (805) 487-9401, (800) 845-3223
PASADENA - California Electric Service Center, 2594 E. Colorado Blvd., 91107, (818) 792-3194
SACRAMENTO - California Electric Service Center, 1821 "Q" Street, 95814, (916) 443-5711
SAN CARLOS - California Electric Service Center, 990 Industrial Road, Suite 102, 94070, (415) 593-6696
SAN DIEGO - California Electric Service Center, 3430 El Cajon Blvd., 92104, (619) 283-6488
SAN FRANCISCO - California Electric Service Center, 1090 Bryant Street, 94103, (415) 431-8494
SAN JOSE - California Electric Service Center, 783 The Alameda, 95126, (408) 295-1723
SANTA ANA - California Electric Service Center, 2025 South Main Street, 92707, (714) 641-0529
SANTA ROSA - Hardisty's Inc., 710 Farmers Lane, 95405, (707) 545-0535
STOCKTON - California Electronics, 929 North Yosemite Street, 95203, (209) 466-5432

Authorized Service Centers

TEMECULA - California Electric Service Center, 41715 Enterprise Circle North, Suite 101, 92590, (909) 695-5445

VAN NUYS - California Electric Service Center, 14753 Oxnard Blvd., 91411, (818) 997-8855

WEST LOS ANGELES - California Electric Service Center, 2314 S. Westwood Blvd., 90064, (310) 475-2532

YUCAIPA - Aire-Rite Heating & A/C, 34724 Yucaipa Blvd., 92399, (909) 797-2788

COLORADO

AURORA - Appliance Service, 2295 So. Chambers Road, Unit F, 80014, (303) 369-6651

COLORADO SPRINGS - Nelson Appliance Repair, Inc., 1220 E. Fillmore, 80907, (719) 635-1928, (800) 291-8010

DENVER - Appliance Service, 4262 Lowell Blvd., 80211, (303) 458-1109, (800) 631-0941 (CO, WY only)

DENVER (ENGLEWOOD) - Appliance Service, 3932 S. Broadway, 80110, (303) 781-1227, (800) 553-1864

GRAND JUNCTION - V & L Appliance Service, 809 North Avenue, 81501, (970) 243-3360

CONNECTICUT

HARTFORD - Hartford Element & Appliance Service, 1500 Albany Avenue, 06112, (860) 246-7424, (800) 787-7977

NEW HAVEN (HAMDEN) - New Haven Appliance Service Center, 1627 Dixwell Avenue, 06514, (203) 288-6229

SHELTON - Jeff's Appliance, Inc., 500A Howe Avenue, 06484, (203) 924-8997

STAMFORD - Appliance Servicenter of Stamford, 15 Cedar Heights Road, 06905, (203) 322-7656

WATERBURY - P.J. Appliance Repair, 935 South Main Street, 06706, (203) 757-1014

DELAWARE

DOVER - Del-Mar Appliance of Delaware, 230 South Governors Avenue, 19904, (302) 674-2414, (800) 858-3424

WILMINGTON - Lyons Hardware, Inc., 2021 Kirkwood Highway, 19805, (302) 995-1260

FLORIDA

ATLANTIC BEACH - First Coast Repair, 25 Seminole Road, 32233, (904) 246-4616

CAPE CORAL - Family Hardware/Do-It Express, 622 SE 47th Terrace, 33904, (941) 542-6365

DELRAY - Mister Fix It, 209 S.E. 2nd Avenue, 33483, (407) 243-9999

GAINESVILLE - Authorized Appliance Service Co., 2614 S.W. 34th Street, 32608, (904) 375-3886

HIALEAH - S-O Service Co., 925 Hialeah Drive, 33010, (305) 887-6275

HOLLY HILL - Ormond Element, 1668 Ridgewood Avenue, 32117, (904) 677-3497

JACKSONVILLE - Authorized Appliance Service Co., 6120-5 Powers Avenue, 32217, (904) 737-5312

LAKE CITY - S&S Mowers Sales & Service, Route 10, Box 9161, Hwy 47 South & MacFarland Ave., 32055, (904) 755-9375

LAKELAND - Electric Shaver & Small Appliance, 4243 S. Florida Avenue, 33813, (941) 644-4690

MIAMI - Goodman's Sales & Service, 13081 SW 133 Court, 33186, (305) 278-8822

NORTH FORT MYERS - Family Hardware, 13817 N. Cleveland Ave., 33903, (941) 995-6161

NORTH PALM BEACH - Appliance Doctors, 450 Northlake Blvd., 33408, (407) 845-0377, FAX (407) 845-0378

OCALA, Vacuums, Inc., 3535 S.E. Maricamp Road, #103, 34471, (904) 694-2247

ORLANDO - Philips Consumer Electronics, 2452 Sand Lake Road, 32809, (407) 857-8998, (800) 942-6128

ORLANDO - Pine Hills Appliance Svc. Co., 6100-4 W. Colonial Drive, 32808, (407) 299-1271

ORLANDO - Southern Electric Co., 510 N. Parramore Avenue, 32801, (407) 841-8824, (800) 940-8824

PANAMA CITY, Callaway Vacuum & Sewing, 221 N. Tyndall Prkwy., 32404, (904) 763-6333

PENSACOLA - Foster's Appliance Repair, 3836 N. Davis Highway, 32503, (904) 432-8853

POMPANO BEACH - Authorized Appliance Service Co., 2171 N. Dixie Highway, 33060, (954) 941-2038

POMPANO BEACH - Philips Consumer Electronics, 2099 W. Atlantic Blvd., 33069, (954) 978-0467

PORT ST. LUCIE - Hoppe's Authorized Vac & Appliance, 6735 S. Federal Way, 34592, (561) 464-0102

ROCKLEDGE - Neelco Do-It Center, 400 Barton Blvd., 32955, (407) 639-1400

SARASOTA - Sunray Small Appliances, 8371 N. Tamiami, 34243, (941) 358-9999, (800) 895-5655

SEBRING - Sebring Do-It Center, 305 U.S. 27 North, 33870, (813) 385-2785

SPRING HILL - Crowder Bros Hardware, 5350 Spring Hill Dr., 34606, (904) 686-4743

ST. PETERSBURG - Keystone Electric, 4604 Central Avenue, 33711, (813) 321-1124

STUART - Appliance Doctors, 3166 S.E. Dixie Highway, 34997, (407) 287-6437

SUNRISE - Muller Appliance Service, 2620 N. University Drive, 33322, (954) 749-5460

TAMPA - Authorized Appliance Service Co., Dibbs Plaza, 4119 Gunn Hwy., Unit 8, 33624, (813) 968-6638

VERO BEACH - Hoppe's Authorized Vac & Appliance, 1872 Commerce Avenue, 32960, (561) 562-4466

WEST PALM BEACH - Satisfaction TV Video Service, Inc., 1980 S. Congress Avenue, 33406, (561) 439-3733

GEORGIA

ATLANTA - Georgia Service Center, 5366 Buford Hwy., 30340, (770) 455-1716, (800) 455-1715

ATLANTA (MARIETTA) - Philips Consumer Electronics, 200 N. Cobb Parkway, Bldg. #100, Suite 120, 30062, (770) 795-0085

AUGUSTA - A & A Appliance Parts & Service, 1708 Walton Way, 30904, (706) 733-5163

BRUNSWICK - Arco Hardware & Supply, 3711 Community Road, 31520, (912) 267-0771

COLUMBUS - Burrell's National Appliance Service, 1728 Warm Springs Road, 31904, (706) 327-0523

LOGANVILLE - Mtn. Mower Sales and Service, 6099C Hwy. 20, 30249, (770) 466-9111

MACON - Capitol Cycle Company, 1090 Washington Avenue, 31201, (912) 745-3946

SAVANNAH - Hagins Appliance Service, 3 West Victory Drive, 31405, (912) 233-8372

TIFTON - Western Auto, 354 S. Main St., 31794, (912) 382-5767

VALDOSTA - Harry B. Anderson, Inc. Western Auto, 204 Central Avenue, 31601, (912) 242-5945

HAWAII

HONOLULU - McCully Bicycle & Sporting Goods, 932 Hausten Street, 96826, (808) 946-1192

WAILUKU (MAUI) - Tom's Appliance Sales & Service, 891 Eha Street, 96793, (808) 244-6278

WAIPAHU - Waipahu Bicycle, 94-320 Depot Street, 96797, (808) 671-4091

IDAHO

BOISE - Boise Appliance, 1503 Main Street, 83702, (208) 343-0102

ILLINOIS

CHAMPAIGN - Appliance Parts & Service Center, 905 Francois, 61821, (217) 355-0220

CHICAGO (BERWYN) - Brand Service Center, 6739 West Cermak, 60402, (708) 749-4315

CHICAGO (DOWNER'S GROVE) - Authorized Appliance Service Co., 1644 W. Ogden Avenue, 60515, (630) 852-1550

CHICAGO (MORTON GROVE) - Brand Service Center, Inc., 5618 Dempster Street, 60053, (847) 965-5900

JACKSONVILLE - Rexx Battery Specialists, 847 South Main Street, 62650, (217) 245-2713

NASHVILLE - Kesel Hardware, 173 West St. Louis, 62263, (618) 327-8957

NILES - Household Appliance Sales & Serv., 7411 N. Milwaukee Ave., 60714, (847) 647-8250

PEORIA - Brand Service Center, 6926-I North University Street, Tanglewood Center, 61614, (309) 691-7588

ROCKFORD - Sun Appliance Sales & Service, 3112 N. Rockton Avenue, 61103, (815) 964-3866

SPRINGFIELD - Bannon Electronics, 1224 N. Franklin, 62702, (217) 523-0313

WAUKEGAN - Brand Service Center, 2850 Belvidere Road, 60085, (847) 244-5800

INDIANA

EVANSVILLE - Electro Hygiene Co., 1614 South Kentucky, 47714, (812) 425-2671

FT. WAYNE - Don's Harware, 5701 Coventry Lane, in the Village of Coventry, 46804, (219) 436-2278

FT. WAYNE - Sun Appliance Service & Sales, 3523 N. Anthony Blvd., 46805, (219) 482-1702

INDIANAPOLIS - Brand Service Center, 1827 N. Meridian Street, 46202, (317) 924-1386

INDIANAPOLIS - Sullivan Hardware Do-It Center, 7021 N. Keystone, 46220, (317) 255-9230

MUNCIE - Joel's Appliance Service, 4405 N. Old State Road 3, 47303, (317) 286-2896

NEW ALBANY - Wells Hardware, Inc., 1011 Vincennes Street, 47150, (812) 944-4523

SOUTH BEND - Ray's TV and Appliance, 60717 US 31 South, 46614, (219) 291-1630

SOUTH BEND (OSCEOLA) - AAA Appliance Service Co., 11868 Lincoln Way West, 46561, (219) 679-4981

TERRE HAUTE - Corey Electronics, 924 S. 8th Street, 47802, (812) 232-8786, (888) 758-4746

IOWA

BETTENDORF - K & K True Value Hardware, 1818 Grant Street, 52722, (319) 359-4473

CEDAR RAPIDS - Stalker Electric, Inc., 110 3rd Ave. SW, 52404, (319) 364-5646

DES MOINES - Quality Appliance Repair Center, 1417 Walnut Street, 50309, (515) 288-0108

DUBUQUE - Shaver's Plus, 11 Bluff Street, 52001, (319) 556-4442

SIoux CITY - Millard Television Inc., 1419 Hamilton Blvd., 51103, (712) 258-3435

KANSAS

COLBY - Gavon's Electronics, 1870 South Range, 67701, (913) 462-6601

JUNCTION CITY - R/C Hobbies, 115 W. 7th Street, 66441, (913) 238-1877

KANSAS CITY (OVERLAND PARK) - Mar-Beck Appliance Service Co., 8471 West 95th Street, 66212, (913) 642-1557

WICHITA - Alan Appliance Service, Inc., 1300 E. Central, 67214, (316) 262-7228, (800) 290-7228

KENTUCKY

GREENVILLE - Malone Lumber Do-It Center, 204 W. Depot Street, 42345, (502) 338-3252

LEXINGTON - Factory Electronics, 2422 Palumbo Drive, 40509, (606) 269-7341

LEXINGTON (VERSAILLES) - Deaver's Hardware, 221 N. Main St., 40383, (606) 873-7396

LOUISVILLE - Maury's Fluorescent & Appliance Service, 1521 Bardstown Road, 40205, (502) 456-1671

MADISONVILLE - Kuester's Hardware, N. Main St., Martin Mall, 42431, (502) 825-2818

OWENSBORO - Kuester's Hardware, 1210 Carter Road, 42301, (502) 685-4916

PADUCAH - Hank Brothers True Value, 3101 Lone Oak Rd., 42003, (502) 554-4001

LOUISIANA

BATON ROUGE - Home Appliance Service, Inc., 10781 Florida Blvd., 70815, (504) 272-7727

LA FAYETTE - Cullen's Playland, 4498 Johnston Street, 70503, (318) 981-2929

LAKE CHARLES - Capitol Schwinn Cyclery, 722 E. Prien Lake Road, 70605, (318) 474-9090

NEW ORLEANS (METAIRIE) - Le Jouet, Inc., 1700 Airline Hwy., 70001, (504) 837-0533

SHREVEPORT - Shreveport Shaver and Appliance, 9750 St. Vincent, Burt Kouns Ind. Loop, 71106, (318) 865-5088, (800) 349-7722

WEST MONROE - West Monroe Small Appliance Repair, 1300 N. 7th Street, Suite F, 71291, (318) 323-5088

MAINE

BANGOR - Adco Surgical Supply Co., 1292 Hammond St., 04401, (207) 942-5273

PORTLAND - Colonial Electronics, Inc., 259 St. John Street, 04102, (207) 774-6666

MARYLAND

BALTIMORE (ELLICOTT CITY) - Clark Do-It Center, 10325 Baltimore National Pk., 21042, (410) 313-8100

BALTIMORE (TOWSON) - Duran Service Company, 8741 Mylander Lane, 21286, (410) 321-9033

Authorized Service Centers

GAITHERSBURG - Waters Appliance Service, 216 E. Diamond Avenue, 20877, (301) 258-7500, (800) 225-5009
SALISBURY - Cycle and Sports Outlet, 2505 N. Salisbury Blvd., 21801, (410) 860-0400
TANEYTOWN - MacHenry Services, 68 Frederick Street, 21787, (410) 756-6659, (800) 276-1301

WASHINGTON D.C. (BELTSVILLE) - Philips Consumer Electronics, 10800 Rhode Island Avenue, 20705, (301) 595-5330, (800) 438-9647

MASSACHUSETTS

BOSTON (MEDFIELD) - Wills Hardware, 5 Janes Avenue, 02052, (508) 359-4381
BOSTON (WALTHAM) - Suburban Appliance Service Center, Inc., 271 Moody Street, 02154, (617) 893-6694
LOWELL - Lowell Appliance Service Center, Inc., 564 Dutton Street, 01854, (508) 454-8731
MAYNARD - Gramp's Garage, 16 Main Street, 01754, (508) 461-0463
QUINCY - Appliance Service and Parts, Inc., 582 Washington Street, Route 3A, 02169, (617) 773-6656
SALEM - Fix Master, Inc., 190 North Street, 01970, (508) 745-0004
SPRINGFIELD - Utility Electric Service, Inc., 810 Main Street, 01101, (413) 781-1635

MICHIGAN

ALMONT - Almont Hardware, 4545 Van Dyke, P.O. Box 511, 48003, (810) 798-8922
BAY CITY - Bay Vac & Pedal, 805 Columbus Ave., 48708, (517) 892-7516
BRIGHTON - Complete Battery Source, 8023 W. Grand River, 48116, (810) 220-1050
DEARBORN - McNichols Electric Service, 1836 Grindley Park, 48124, (313) 563-7550
DETROIT - McNichols Electric Service, 13725 W. McNichols, 48235, (313) 342-6070, (800) 562-4226
DETROIT (ROYAL OAK) - McNichols Electric Service, 4115 West 13 Mile Road, 48072, (810) 288-5135
FLINT (DAVISON) - Gill-Roy's Hardware, 8405 East Davison, 48423, (810) 653-2288
FLINT (SWARTZ CREEK) - Gill-Roy's Hardware, 9061 Miller Road, 48473, (810) 635-2020
GRAND RAPIDS - Superior Appliance Service Co., 1050 Scribner Avenue, NW, 49504, (616) 459-3271
JACKSON - Hammond Hardware, 1800 Francis St., P.O. Box 7, 49204, (517) 782-0704
KALAMAZOO - Bill Coleman TV, 3938 S. Westnedge, 49008, (616) 344-1200
LANSING - Rapid Appliance Service, Inc., 1454 E. Michigan Avenue, 48912, (517) 485-1320
MIDLAND - Knopic's Do-It Center, 3128 Jefferson Ave., 48640, (517) 832-2774
PRUDENVILLE - Ford's Do-It Center, 841 W. Houghton Lake Drive, 48651, (517) 366-7622
TRAVERSE CITY - De Weese Hardware Inc., 1029 Carver Street, 49685, (616) 947-7670

MINNESOTA

BRAINERD - Diggz Motor Sports, 4299 Hwy. 371 North, 56401, (218) 828-8088
DULUTH - All Brand Mr. Fixit, 16 West First Street, 55802, (218) 722-1499
DULUTH - Mr. Fix it - Metro Appl. Service Center, Inc., 2020 W. Superior St., 55806, (218) 722-9063
MINNEAPOLIS (ST. LOUIS PARK) - Barness, 4631 Excelsior Blvd., 55416, (612) 926-0521
ROCHESTER - Robert's Electronics, 611 6th Ave. NW, 55901, (507) 282-2140
ST. PAUL - Barness, 1573 University Avenue, 55104, (612) 646-3109

MISSISSIPPI

HATTIESBURG - Champion Cycle & Fitness, 2625 Lincoln Road, 39402, (601) 264-8233, (800) 273-4158
IUKA - W. H. Fairless Hardware Co., Inc., 117 Fulton Street, 38852, (601) 423-2233, (800) 797-9457
JACKSON (RIDGELAND) - Propeller Service, 291 Hwy. 51, Suite D6, 39157, (601) 856-3191
MERIDIAN - Broadmoor Home Center, 2420 Old North Hills Street, P.O. Box 3280, 39305, (601) 483-7373
NATCHEZ - Western Auto, 180 Seargent Prentiss Dr., 39120, (601) 445-4186

STARKVILLE - East Mississippi Lumber Co., 300 Russell Street, 39759, (601) 323-3554

MISSOURI

INDEPENDENCE - Mar-Beck Appliance Service Co., 4476 South Noland Road, 64055, (816) 478-1889
KANSAS CITY - Mar-Beck Appliance Service Co., 303 W. 79th Street, 64114, (816) 523-6931
KANSAS CITY (GLADSTONE) - Mar-Beck Appliance Serv. Co., 6559 N. Oak Traffic Way, 64118, (816) 436-9191
POPLAR BLUFF - Mills Iron & Supply, 1919 S. Westwood Blvd., 63901, (573) 785-2628
SPRINGFIELD - Mar-Beck Appliance Service Co., 2704 S. Glenstone Avenue, 65804, (417) 882-3070
ST. LOUIS - Authorized Appliance, Inc., 2355 Hampton Avenue, 63139, (314) 647-4250
ST. LOUIS - Brand Service Center, Inc., 1624 S. Broadway, 63104, (314) 231-0751

MONTANA

BILLINGS - Radio Equipment Company, 1120 16th Street West, 59104, (406) 256-9778

NEBRASKA

GRAND ISLAND - Mundt's Small Appliance & Vacuum Repair, 1822 W. Northfront Street, 68803, (308) 382-5084
LINCOLN - CB Small Appliance, 432 South 11th Street, 68508, (402) 475-2546
LINCOLN - Sperry TV, 1115 North 47th St., 68503, (402) 464-9181
LINCOLN - Sperry TV, 2013 Highway 2, 68502, (402) 464-9181
NORTH PLATTE - Sperry TV, 1855 West A Street, Westfield Shopping Center, 69010, (308) 532-5200
OMAHA - Myers Electric Co., 7571 Dodge Street, 68114, (402) 393-8388, (800) 234-1414
OMAHA - Myers Electric Co., Inc., 1458 South 16th Street, 68108, (402) 342-7710

NEVADA

LAS VEGAS - Burney's Commercial Service, Inc., 4480 Aldebaran Avenue, 89103, (702) 736-0006
MINDEN - Valley Home & Sport Center, 1587 Highway 395, 89423, (702) 782-5111

NEW JERSEY

HAWTHORNE - Ter Kuile, Inc., 206 Diamond Bridge Avenue, 07506, (201) 423-1142
HIGHLAND PARK - Dash Electronics, 10 N. 2nd Street, 08904, (908) 247-5124
HOWELL - South Jersey TV Service, Inc., 4232 Rt. 9 South, 07731, (908) 363-5550, (800) 244-3094
OCEAN - South Jersey TV Service, Inc., 1719 Route 35, 07712, (908) 531-3565
SICKLERVILLE - Sicklerville Hardware, 540 Williamstown Road, 08081, (609) 728-3800
TOMS RIVER - South Jersey TV Service, Inc., Stella Towne Center, 1258 Route 166, 08753, (908) 505-1771
TOTOWA - Philips Consumer Electronics, 140J Commerce Way, 07512, (201) 890-0586
TRENTON - Tattersall, Inc., 309 N. Willow Street, 08618, (609) 393-4293

NEW MEXICO

ALBUQUERQUE - Appliance Service Center, 5505 Silver Avenue, SE, 87108, (505) 265-7774
CLOVIS - Burns Hardware, 1511 N. Prince, 88101, (505) 769-2528

NEW YORK

BAYSHORE, L.I. - Turnpike Appliance of Suffolk, Inc., 1253 Sunrise Highway, 11706, (516) 665-8311
BINGHAMTON - Hardware Fare DO-IT Center, 1139 Front Street, Nimmonsburg Square, 13905, (607) 722-9202
BUFFALO - Buffalo Appliance Repair Center, Inc., 20 Pannell Street, 14214, (716) 833-4677
BUFFALO (WILLIAMSVILLE) - Hector's Hardware, 876 Maple Road, 14221, (716) 688-4488
COMMACK, L.I. - Turnpike Appliance Service, 6181 Jericho Turnpike, 11725, (516) 499-3355
ELMIRA - Capabilities, Inc., 1149 Sullivan Street, 14901, (607) 734-2006
GREAT NECK - Turnpike Appliance Service Center, 45 Northern Boulevard, 11021, (516) 466-0644

HUDSON - Sweeps Vacuum & Repair Center, Inc., 705 Warren Street, 12534, (518) 828-5457
PEEKSKILL - Clark Appliance & Vacuum Service Corp., 950 Main Street, 10566, (914) 737-1368, (800) 765-0649
POUGHKEEPSIE - S & S Appliance Sales & Service, 390 Violet Avenue, 12601, (914) 452-6122
RICHMOND HILL - Lockdoctor Locksmiths, 104-37 Atlantic Ave., 11418 (718) 441-6242
ROCHESTER - Benfante Appliance Service, 1286 Mt. Hope Avenue, 14620, (716) 473-8765
SEA CLIFF, L.I. - Shabra Electronics, 400 Glen Cove Avenue, 11579, (516) 671-2218
STATEN ISLAND - Springstead Lumber 6232, 4255 Amboy Road, 10308, (718) 984-0300
SYRACUSE - County Wide Appliance, 1001 N. State Street, 13208, (315) 479-5253, (800) 333-3243
TUCKAHOE - Authorized Appliance of Westchester, 26 Columbus Ave., 10707, (914) 961-8011
UTICA - Oneida Bicycle & Sports Center, 2107 Whitesboro St., 13502, (315) 724-6084
WARWICK - Wadeson Home Center, 60 Forester Avenue, 10990, (914) 986-2215, (800) 982-2215 (NY only)
W. HEMPSTEAD L.I. - Turnpike Appliance Service, 86 Hempstead Turnpike, 11552, (516) 486-5700, (800) 628-3911

NORTH CAROLINA

ASHEVILLE - Skyland Hardware, 3179 Sweeten Creek Road, 28803, (704) 684-0308
CHARLOTTE - Authorized Appliance Servicer, 1020 Tuckaseegee Road, 28208, (704) 377-4501, (800) 532-6127
CLINTON - Danny's Service Center, 119 Vance Street, 28328, (910) 592-3200
ELIZABETH CITY - Coastal Office Equipment Co., 501 East Church Street, 27909, (919) 335-2927
GREENSBORO - Greensboro Shaver & Appliance, 430 North Eugene Street, 27401, (910) 273-1065
HICKORY - First Flight Bicycles, 2435 N. Center Street, 28601, (704) 324-9350
RALEIGH - Authorized Appliance Service Center, 800 North Person Street, 27604, (919) 834-3476
STATESVILLE - First Flight Bicycles, 216 S. Center St., 28677, (704) 878-9683
WILMINGTON - American Tool & Tractor, 102 Eastwood Road, Ste. D-9, 28403, (910) 392-5784
WINSTON-SALEM - Authorized Appliance Servicer, 904 South Marshall Street, 27117, (910) 725-5396

NORTH DAKOTA

FARGO - General Parts & Supply Co., 10 S. 18th Street, 58103, (701) 235-4161, (800) 279-9987

OHIO

AKRON - Advanced Appliance Service Company, 73 W. Exchange Street, 44308, (216) 762-8968
CANTON - Appliance Parts Co., 1267 Dueber Avenue, SW, 44706, (330) 453-8077
CINCINNATI - H&S Service, 458 Cincinnati Batavia Pike, 45244, (513) 528-0808 (800) 344-4210
CINCINNATI (SILVERTON) - Brand Service Center, Inc., 6944 Plainfield Road, 45236, (513) 793-1170
CLEVELAND - Majors Appliance, 5845 Turney Road, 44125, (216) 663-4650
CLEVELAND (MENTOR) - Lake Erie Lawn & Garden, 7833 Munson Rd., 44060, (216) 257-9000
CLEVELAND (PARMA) - Majors Appliance, 5785 Ridge Road, 44129, (216) 884-7200
CLEVELAND (WESTLAKE) - Philips Consumer Electronics, 24090 Detroit Avenue, 44145, (216) 899-2040, (800) 331-7037
COLUMBUS - Philips Consumer Electronics, 6333 Busch Blvd., 43229, (614) 781-2605
DAYTON - Layer Electric, 603 South Ludlow Street, 45402, (937) 224-9608
DAYTON (NEW CARLISLE) - Ballweg Do-It Center, 3300 South Dayton, Lakeview Rd., 45344, (937) 849-1306
LIMA - Crouse Lumber Do-It Center, 333 E. Market Street, 45801, (419) 229-9070, (800) 826-9663
NEW BOSTON - True Value Toy Town, Rt. 52 & 139, 45662, (614) 456-5704
STRYKER - Short's Hardware, 115 N. Depot Street, 43557, (419) 682-4231

Authorized Service Centers

TOLEDO - Broadway Sales and Appliance Repair, 1621 Broadway, 43609, (419) 241-9731, (800) 436-5415
YOUNGSTOWN - O'Connor's, 3224 Market Street, 44507, (216) 782-4705

OKLAHOMA

OKLAHOMA CITY - Brand Service Center, 538 N. Pennsylvania Avenue, 73107, (405) 235-0583
TULSA - H.L. Moss, Inc., 1714 E. 15th Street, 74104, (918) 744-1305, (800) 248-5948

OREGON

PORTLAND - Oregon Appliance Service, 2137 East Burnside Street, 97214, (503) 235-6681

PENNSYLVANIA

ALTOONA - Frye's Sweeper & Sewing Center, Inc., 1400 Valley View Boulevard, 16602, (814) 943-5001, (800) 640-1308
HARRISBURG - C.A. Juillard, Inc., 2301 North Seventh Street, 17110, (717) 233-3488, (800) 633-3488
JOHNSTOWN - Cambria True Value Hardware, West Hills Square, Goucher Street, 15905, (814) 255-4752
KINGSTON - Vac-Way Appliance & Service, 595 Market Street, 18704, (717) 288-4508
MOSCOW - Vac-Way Appliance & Service, RR #6 Box 6237, 18444, (717) 842-4668
ORANGEVILLE - Hess Do-It Center & Market, Route 487, Box 4 M, 17859, (717) 683-5162
PHILADELPHIA - Appliance Care/Service Corp., 6407 Rising Sun Ave., 19111, (215) 725-3112
PHILADELPHIA (COLLINGDALE) - J.F. Kenney Electric, 920 MacDade Boulevard, 19023, (610) 534-7373
PITTSBURGH - Ferry Electric Service Co., 7498 McKnight Road, 15237, (412) 364-3403
PITTSBURGH - Ferry Electric Service Co., 140 Clairton Blvd., 15236, (412) 653-6004
READING - Electric Repair Co., 502-504 North 9th Street, 19604, (610) 376-5444, (800) 422-8171 (PA only)
SCRANTON - Vac-Way Appliance and Service, 601 Cedar Avenue, 18505, (717) 343-1121
SHAMOKIN DAM - Willard Battery Outlet, 138 S. Old Trail, 17876, (717) 743-5383
TROY - Hoover Hardware, 9 Canton, 16947, (800) 251-2156, (717) 297-3445
WASHINGTON - Murphy Family Inc., 585 East National Pike, 15301, (412) 225-0324
WILKES-BARRE - Walter Hardware DO-IT Center, 57 N. Welles Street, 18702, (717) 823-1406
YORK - Parcel Plus, 2549 E. Market Street, York Market Place, 17402, (717) 757-1875

PUERTO RICO

HATILLO - Tropical Parts Service, P.O. Box 1335, Road 130 KM 8.5, 00659, (787) 898-6474
MAYAGUEZ - Cardona Appliance Service, 8 San Vicente Street, 00680, (787) 832-8366
MAYAGUEZ - Melendez Home Appliance Repair, Calle Post 319 Sur, 00680, (787) 832-5225
PONCE - Ferreteria Vivian, Centro Comercial, Los Caobos #7, 00731, (787) 840-0677
PUERTO NUEVO - Buckeye Service, 1013 Jesus T. Pinero Avenue, 00920, (787) 782-6175

RHODE ISLAND

PROVIDENCE - Marshall Electric Co., 200 Broad Street, 02903, (401) 331-4482

SOUTH CAROLINA

CHARLESTON HEIGHTS - Dorchester Electric Service, 3575 Dorchester Avenue, 29405, (803) 747-5221
COLUMBIA - Authorized Appliance Servicenter, 1811 Taylor Street, 29202, (803) 254-8414
DARLINGTON - Hobbies and More, 1570 South Main Street, 29532, (803) 393-0355, FAX (803) 393-8171
GREENWOOD - Bikes & Boards & Mopeds, 203A Montague Avenue, 29646, (864) 229-2453
SENECA - Seneca Micronics, 110 East North First, 29678, (803) 882-6593

SPARTANBURG - Boiling Springs Hardware, 3124 Boiling Springs Rd, 29303, (803) 578-1852
VARNVILLE - P&S Small Engine & Variety Shop, 105 Carolina Avenue, West, 29944, (803) 943-9141

TENNESSEE

CHATTANOOGA - Light Electric, 732 East 11th Street, 37403, (615) 267-9224
KNOXVILLE - Authorized Appliance Service Center, 1206 North Central Street, 37917, (615) 524-3376
MEMPHIS - Camp Electric Co., 647 Madison Avenue, 38103, (901) 527-7543, (800) 238-7345
NASHVILLE - Webb's Appliance Service Center, Inc., 1519 Church Street, 37203, (615) 329-4079, (800) 899-4079

TEXAS

ABILENE - Metro Small Appliance Service Co., 141 S. Clyde, 79605, (915) 672-1853
AMARILLO - Reid's Appliance Service, Inc., 906 Georgia, 79102, (806) 373-8812
ANTHONY - Villarreal & Sons Elec., 512 S. Third Street, 79821, (915) 886-3362
AUSTIN - Harrell Supply and Service, Inc., 5435 Burnet Road, 78756, (512) 451-6464, (800) 332-7250 (TX only)
AUSTIN - Harrell Supply and Service, Inc., 1409 West Oltorf, 78704, (512) 442-5966
AUSTIN (ROUND ROCK) - Harrell Supply, 907c Interstate Highway 35, 78664, (512) 388-0866
CORPUS CHRISTI - Brand Appliance & Microwave, 2751 South Staples, 78404, (512) 854-1851
DALLAS - Pearsol Appliance Co., 3127 Main Street, 75226, (214) 939-0930
DALLAS - All Type Sales and Service Co., Inc., 2835 Irving Blvd., 75207, (214) 638-1170, (800) 717-1170
FT. WORTH - Ft. Worth Shaver and Appliance Center, 1012 West 7th Street, 76102, (817) 335-9970
HOUSTON - Brand Service Center, 5727 Richmond Avenue, 77057, (713) 782-8910
HOUSTON - Brand Service Center, 1970 FM 1960, 77090, (713) 537-7795
LAREDO - Rubio Electric, 1719 San Bernardo, 78040, (210) 722-3908
LONGVIEW - Toys and Things, 918 NW Loop 281, 75604, (903) 759-3939
LUBBOCK - Minter's, 4409 50th Street, 79414, (806) 799-3170
LUFKIN - STS Audio and Video, 1505 South First Street, 75901, (409) 639-4529
MC ALLEN - All-In-One Repair Shop, 2313 Lark Avenue, 78504, (210) 682-8858
MIDLAND - Midland Tool Specialty, 918 South Main, 79701, (915) 682-4647, (800) 499-0755
PASADENA - Larry's TV Service, 3520 Fairmont Parkway, 77504, (713) 998-0122, (800) 244-0281
ROMA - True Value Hardware, 1004 E. Highway 83, (210) 849-1322
SAN ANTONIO - Brand Service Center, 7065 San Pedro Avenue, 78216, (210) 344-8577
SEYMOUR - Western Auto, 211 N. Main Street, 76308, (817) 888-3980
TEMPLE - Master Tech Repairs, 2819 West Avenue North, 76504, (817) 773-8991
VICTORIA - Tom's Video Service, 211 East Anaqua, 77901, (512) 576-0664, (800) 433-0664
WICHITA FALLS - Burke's Appliance Service, 2410 10th Street, 76309, (817) 723-6211

UTAH

OREM - The Mending Shed, 1735 South State Street, 84058, (801) 225-8012, (800) 339-9297
SALT LAKE CITY - Appliance Service Center, Inc., 210 East 6th South, 84111, (801) 328-9703

VERMONT

RUTLAND - Appliance Service Center Ltd., 152 Woodstock Avenue, 05701, (802) 773-8917

VIRGINIA

HARRISONBURG (PENN LAIRD) - J.L. Maintenance & Repair, Inc., Route 2, Box 308, 22846, (540) 289-9844
NEWPORT NEWS - Commonwealth Electric Shaver Sales & Service, Inc., 10105 Jefferson Ave., 23605, (804) 595-6712
NORFOLK - Commonwealth Electric Shaver Sales & Service, Inc., 6612 E. Virginia Beach Blvd., 23502, (804) 461-4475
ROANOKE - Commonwealth Shaver & Appliance Service, 5524 Williamson Road, NW, 24012, (703) 366-6038
VIENNA - Appliance Fix-It, 8455 Tyco Road, 22182, (703) 893-1234
WINCHESTER - Battery Mart of Winchester, Inc., 1 Battery Dr., 22601, (703) 655-0065
WOODBRIIDGE - Baker's Appliance, 13314 Occoquan Road, 22191, (703) 490-5605

WASHINGTON

SEATTLE - Ajax Electric, 2911 First Avenue South, 98134, (206) 622-9945
SEATTLE (BELLEVUE) - Action Small Appliance Service, 1500 145th Place, SE, 98007, (206) 643-9806
SPOKANE - SPARCO, West 45 2nd Avenue, 99204, (509) 624-8965
SPOKANE - SPARCO, N. 1119 Pines Rd., 99206, (509) 922-9666

WEST VIRGINIA

BECKLEY - Jerry's Detectors, Vacuum & Appl. Svc., 411 Second Street, 25801, (304) 253-3521
CHARLESTON - Sneed's Vacuum & Sewing Center, 2614 7th Avenue, 25312, (304) 744-3670, (800) 245-8048 (WV only)
HARRISVILLE - Western Auto, 1107 E. Main St., 26362, (304) 643-2226
HUNTINGTON - Mike's Appliance and Service, 212 20th Street, 25703, (304) 522-0737, (800) 244-9152
MARTINSBURG - Battery Mart, 1161-3 Winchester Avenue, 25401, (304) 267-7033, (800) 464-7918
WHEELING - Fast Service Center, 1058 Main Street, 26003, (304) 232-5561 (800) 874-4090

WISCONSIN

APPLETON - G/Tech Electric Tool & Housewares Service, 600 W. College Ave., 54911, (414) 739-6064, (800) 400-6064
GREENBAY - Kastle Carts, Inc., 2301 N. Irwin Ave., 54313, (414) 465-6121
LACROSSE - Paul's Shaver Service, 1224 Caledonia Street, 54603, (608) 782-6291
MADISON (MONONA) - Kiefer's Shaver and Appliance, 4511 Monona Drive, 53716, (608) 221-3322
MAUMETTE - Della Do-It Center, W 1536 Highway 41, 54143, (715) 732-1768
MILWAUKEE - Brand Service Center, 3707 North 92nd Street, 53222, (414) 461-0440
MILWAUKEE - Brand Service Center, 6000 W. Oklahoma Street, 53219, (414) 541-4340



Super Talk!™ BARBIE™ Sun Jammer™ 4x4

FOR MODEL 76960

Questions? Please call Consumer Affairs toll-free at 1-800-348-0751.

BARBIE and associated trademarks are owned by and used under license from Mattel, Inc.
©1996 Mattel, Inc. All Rights Reserved.

JEEP and the Jeep grille design are registered trademarks of Chrysler Corporation U.S.A. used under license.
©CHRYSLER CORPORATION 1996.

©1996 Fisher-Price, Inc., East Aurora, New York 14052 - All Rights Reserved